

## Rainmaker Select

### Overhead shower 460 2jet with shower arm

Surfaces: **Black/Chrome** Article Number: **24005600**



#### Description

##### product features

- consists of: overhead shower, shower arm, escutcheon
- shower head size: 466 x 300 mm
- spray type: Rain, RainStream
- shower arm length: 461 mm
- flow rate Rain spray (at 3 bar): 18 l/min
- flow rate RainStream spray (at 3 bar): 15 l/min
- the 2 spray zones must be controlled via 2 valves or a diverter valve with 2 outlets
- easy cleanable glass spray disc
- material spray disc: safety glass
- spray disc removable for cleaning
- overhead shower removable for cleaning
- installation: wall-mounted - for installation on iBox
- connection dimension: DN15

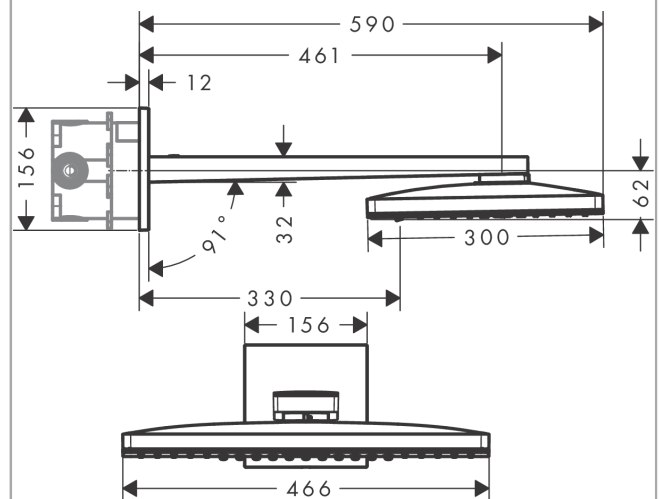
#### Technology



#### Product image



#### Scale drawing



**Rainmaker Select****Overhead shower 460 2jet with shower arm**Surfaces: **Black/Chrome** Article Number: **24005600****Flowchart**

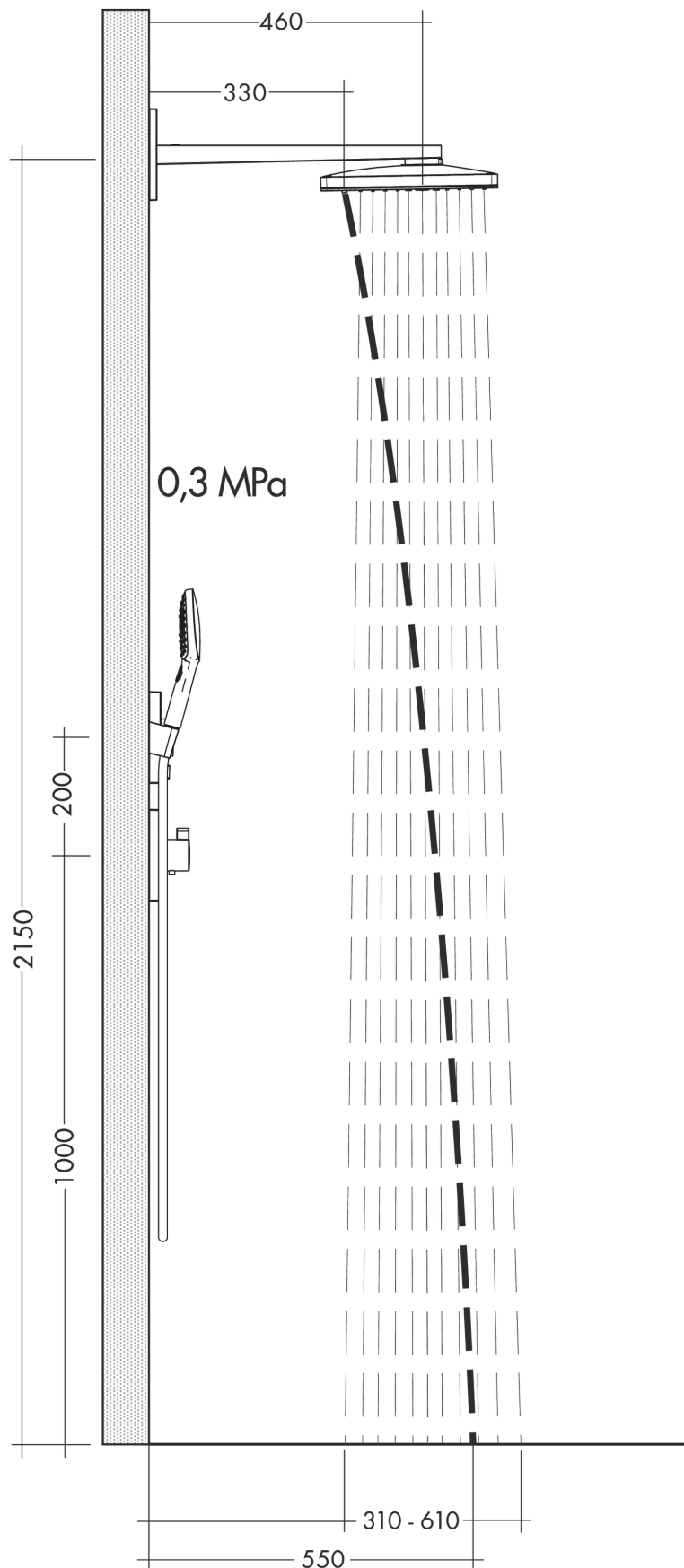
- ① Rain
- ② RainStream

The consumption was measured in combination with the appropriate fittings (thermostat/mixer/in-wall valve) to reflect actual application in practice.

**Rainmaker Select**  
**Overhead shower 460 2jet with shower arm**  
 Surfaces: **Black/Chrome** Article Number: **24005600**



Installation examples

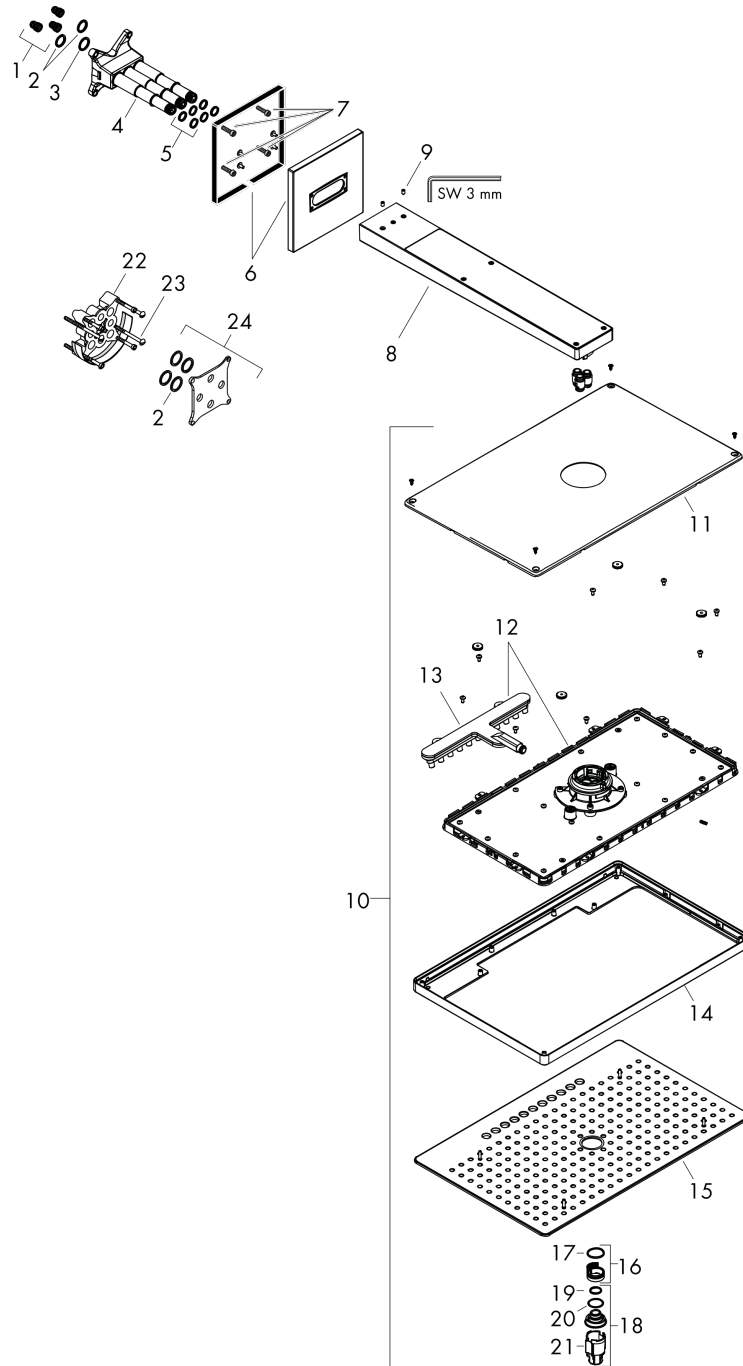


**Rainmaker Select**  
**Overhead shower 460 2jet with shower arm**  
 Surfaces: **Black/Chrome** Article Number: **24005600**



Exploded Drawing

Year of production: >04/17



## Rainmaker Select

### Overhead shower 460 2jet with shower arm

Surfaces: **Black/Chrome** Article Number: **24005600**



#### Spare part list

Year of production: >04/17

Pos.	Description	Article Number	Price	PU
1	filter	98513000	-	1
2	O-ring 16x2	98133000	-	1
3	O-ring 18x2	98181000	-	1
4	installation unit cpl.	95170000	-	1
5	O-ring 12x2	98214000	-	1
6	escutcheon 155 / 155 mm	92700000	-	1
7	set of screws	96525000	-	1
8	shower arm	92701000	-	1
9	hollow set screw M5x8	92851000	-	1
10	head shower	92682600	-	1
11	cover	93393000	-	1
12	cartridge, assy	93389000	-	1
13	spray insert	92923000	-	1
14	frame	93391000	-	1
15	spray body	92704610	-	1
16	filter	92683000	-	1
17	O-ring 24x2	98388000	-	1
18	spray insert	92685000	-	1
19	O-ring 15x2	98163000	-	1
20	O-ring 21x2	98205000	-	1
21	special tool	92686000	-	1
22	extension 25 mm	13595000	-	1
23	set of fixing screws	97747000	-	1
24	compensation set 1°	95521000	-	1
a	concealed item	01800180	-	1
b	spray insert	92685610	-	1