

Rainmaker Select

Overhead shower 460 1jet with shower arm

Surfaces: **White/Chrome** Article Number: **24003400**



Description

product features

- consists of: overhead shower, shower arm, escutcheon
- shower head size: 466 x 270 mm
- spray type: Rain
- shower arm length: 462 mm
- maximum flow rate at 3 bar: 19 l/min
- flow rate Rain spray (at 3 bar): 19 l/min
- easy cleanable glass spray disc
- material spray disc: safety glass
- spray disc removable for cleaning
- overhead shower removable for cleaning
- installation: wall
- connection thread G 1/2
- connection dimension: DN15

Technology



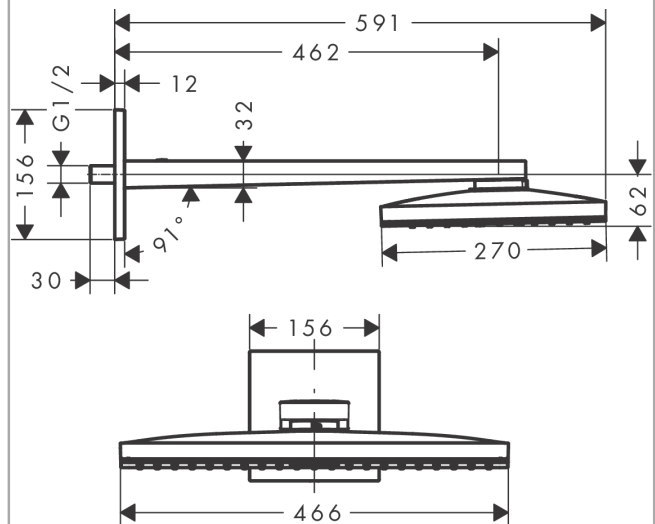
Design awards



Product image



Scale drawing



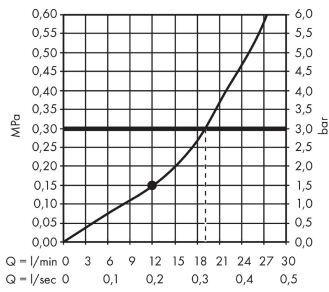
Rainmaker Select

Overhead shower 460 1jet with shower arm

Surfaces: **White/Chrome** Article Number: **24003400**



Flowchart

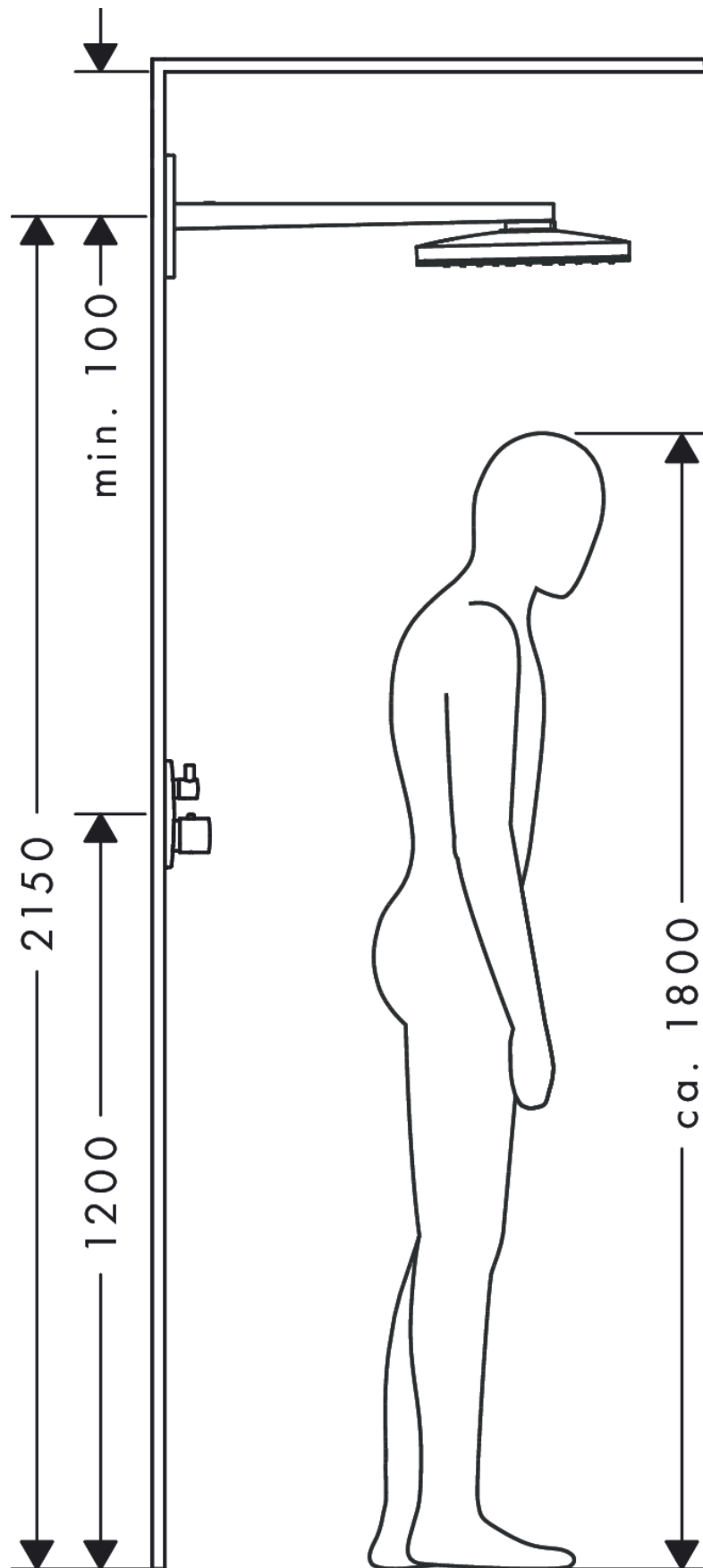


The consumption was measured in combination with the appropriate fittings (thermostat/mixer/in-wall valve) to reflect actual application in practice.

Rainmaker Select
Overhead shower 460 1jet with shower arm
 Surfaces: **White/Chrome** Article Number: **24003400**



Installation examples

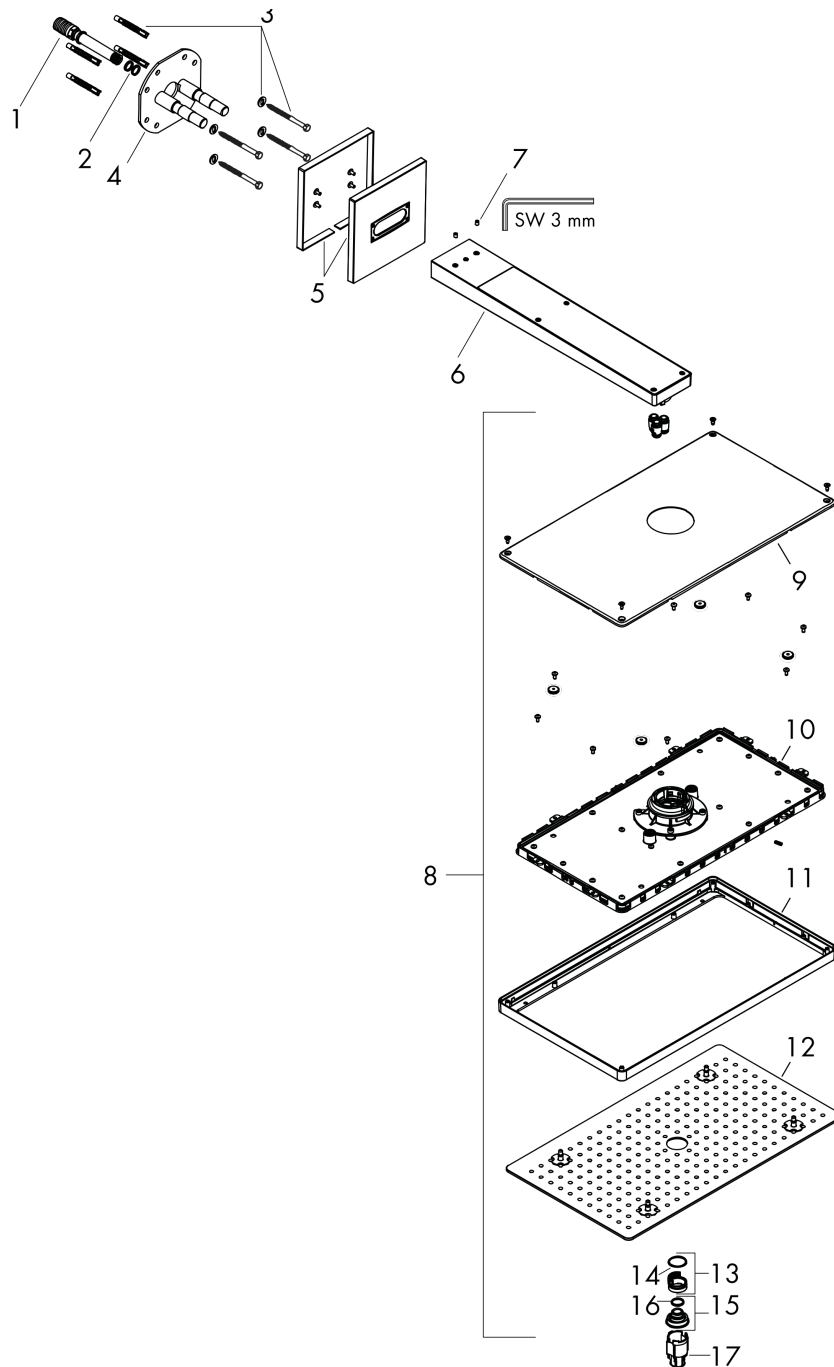


Rainmaker Select
Overhead shower 460 1jet with shower arm
 Surfaces: **White/Chrome** Article Number: **24003400**



Exploded Drawing

Year of production: >07/15



Rainmaker Select

Overhead shower 460 1jet with shower arm

Surfaces: **White/Chrome** Article Number: **24003400**



Spare part list

Year of production: >07/15

Pos.	Description	Article Number	Price	PU
1	connecting thread G½	92699000	-	1
2	O-ring 12x2	98214000	-	1
3	mounting set	98716000	-	1
4	support element	93926000	-	1
5	escutcheon 155 / 155 mm	92700000	-	1
6	shower arm	92701000	-	1
7	hollow set screw M5x8	92851000	-	1
8	head shower	92702000	-	1
9	cover	93392000	-	1
10	cartridge, assy	93388000	-	1
11	frame	93390000	-	1
12	spray body	92703000	-	1
13	filter	92683000	-	1
14	O-ring 24x2	98388000	-	1
15	spray insert	92685000	-	1
16	special tool	92686000	-	1
17	O-ring 15x2	98163000	-	1
a	Grease	90920000	-	1