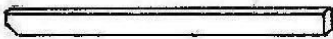

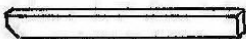

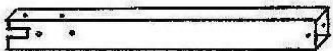
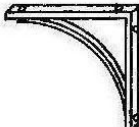
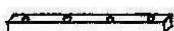
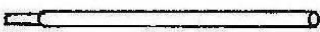
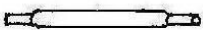
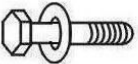
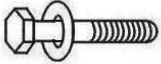



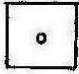



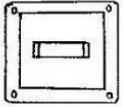
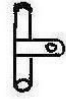



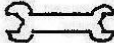
ASSEMBLY AND OPERATING INSTRUCTIONS



3m × 3m Pergola Gazebo

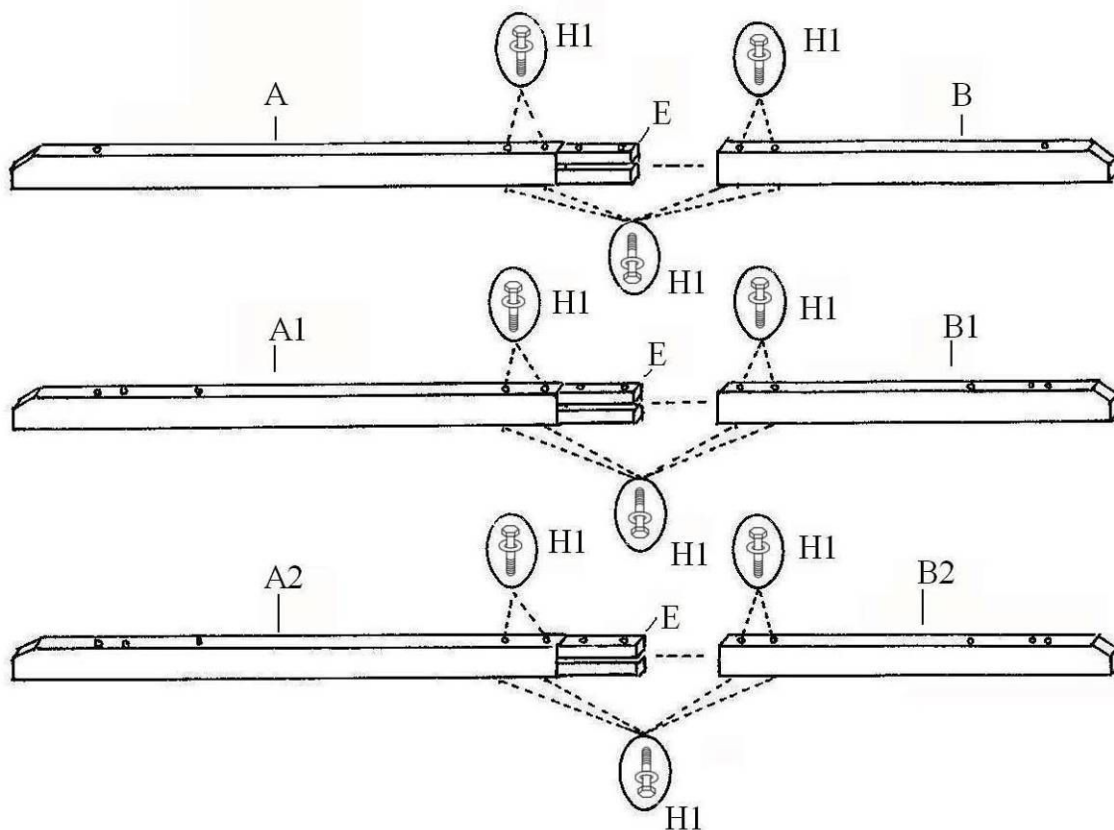
Part list

Part#	Figure	Qty
A		1
A1		2
A2		2
B		1
B1		2
B2		2
C1		2
C2		2
D		8
E		10
F		3
G		3
H1	 M6×16	49
H2	 M6×20	40+2

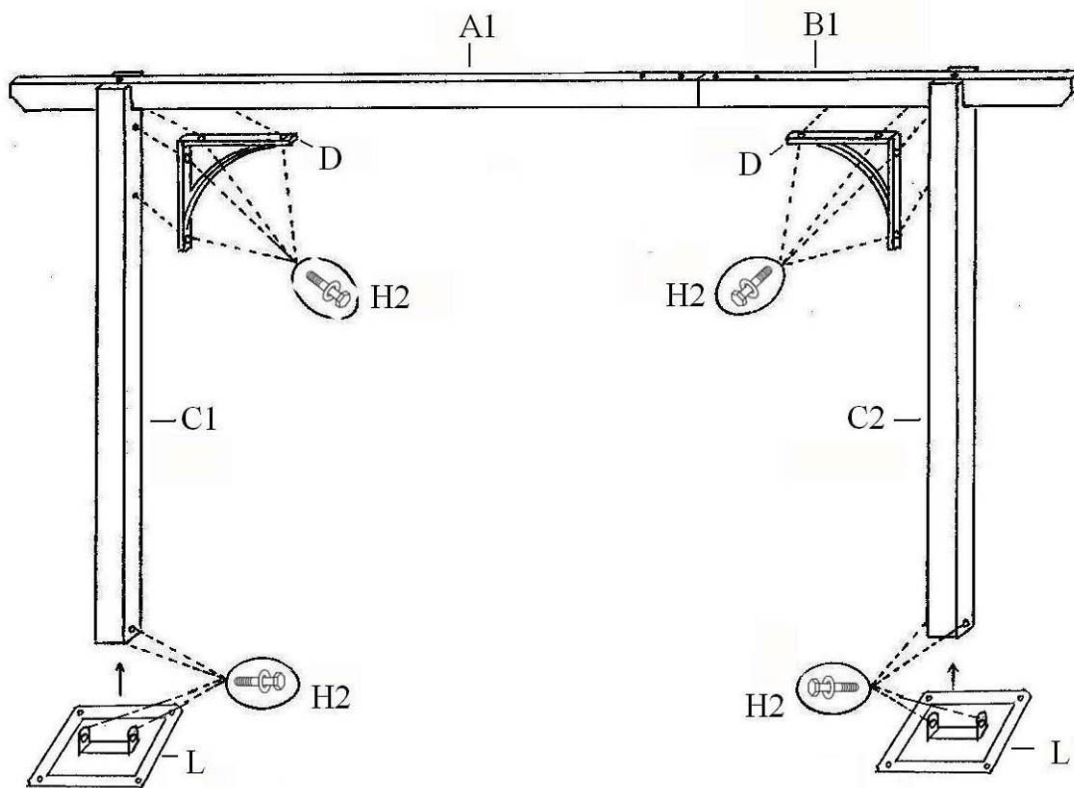
Part#	Figure	Qty
H3	 M6×65	6+1
I		4
J1		6
J2		6
K		3
L		4
M		3
N		3
O		18+4
W		1
Y		16
Z		1

Assembly Diagram

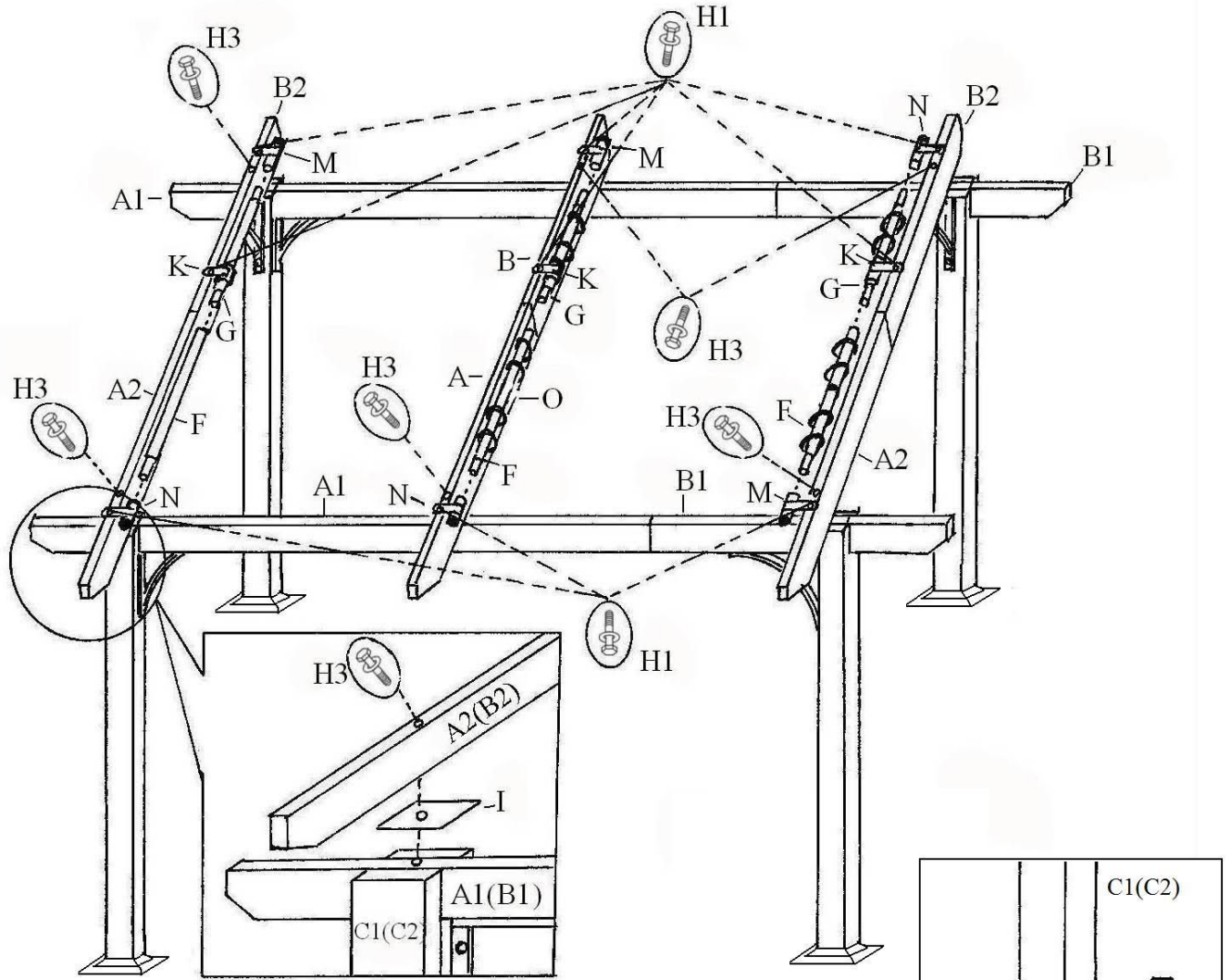
1.



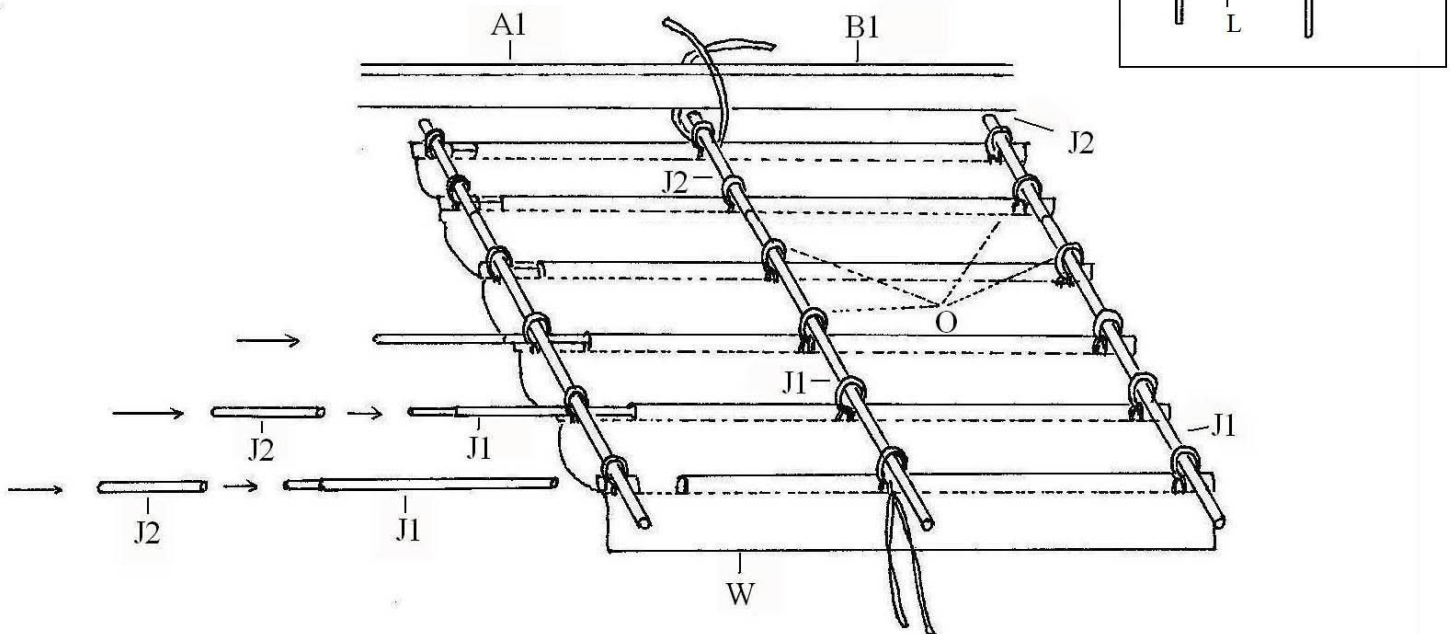
2.



3.



4.



“This product must be securely fixed to the ground surface, to prevent damage in stormy weather”