

Talis Select M51

Single lever kitchen mixer 300, 1jet

Surfaces: **Stainless Steel Finish** Article Number: **72820800**



Description

product features

- ComfortZone 300
- swivel range adjustable in 3 steps 110°, 150° or 360°
- normal spray
- Select button for a comfortable start/stop of the water flow
- connection dimension: DN15
- maximum flow rate at 3 bar: 9 l/min
- ceramic cartridge
- connection type: G 3/8 connections
- integrated non-return valve
- suitable for continuous flow water heaters

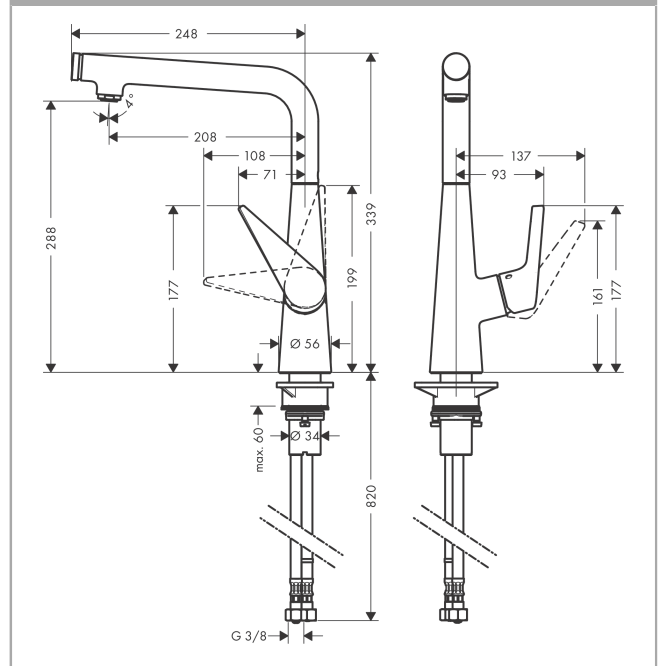
Technology



Product image



Scale drawing



Flowchart

