

## Talis M51

Single lever kitchen mixer 160, pull-out spray, 2jet

Surfaces: **Chrome** Article Number: **72815000**



### Description

#### product features

- ComfortZone 160
- swivel range adjustable in 2 steps to 110° or 150°
- laminar spray and shower spray
- lockable shower spray, spray returns through pressing spray diverter
- MagFit magnetic shower support
- quick connect hose
- connection dimension: DN15
- maximum flow rate at 3 bar: 9 l/min
- ceramic cartridge
- connection type: G 3/8 connections
- integrated non-return valve
- suitable for continuous flow water heaters

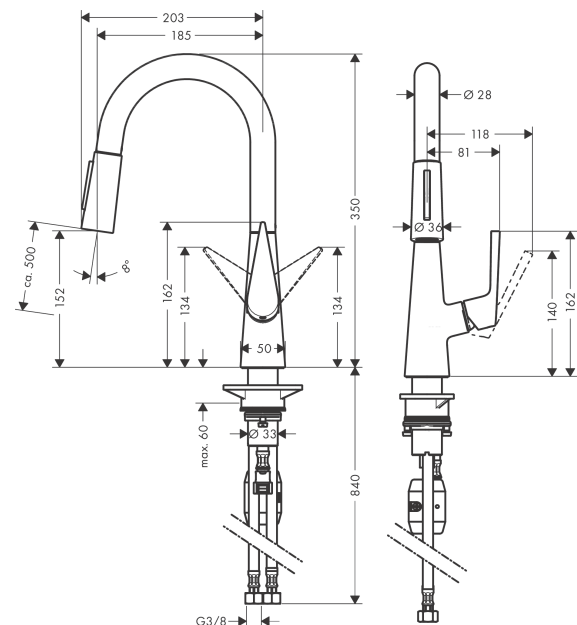
### Technology



### Product image



### Scale drawing



### Flowchart

