

Talis M52

Single lever kitchen mixer 270, 1jet

Surfaces: **Chrome** Article Number: **14870000**



Description

product features

- ComfortZone 270
- swivel range adjustable in 3 steps 110°, 150° or 360°
- normal spray
- connection dimension: DN15
- maximum flow rate at 3 bar: 10 l/min
- ceramic cartridge
- connection type: G 3/8 connections
- suitable for continuous flow water heaters

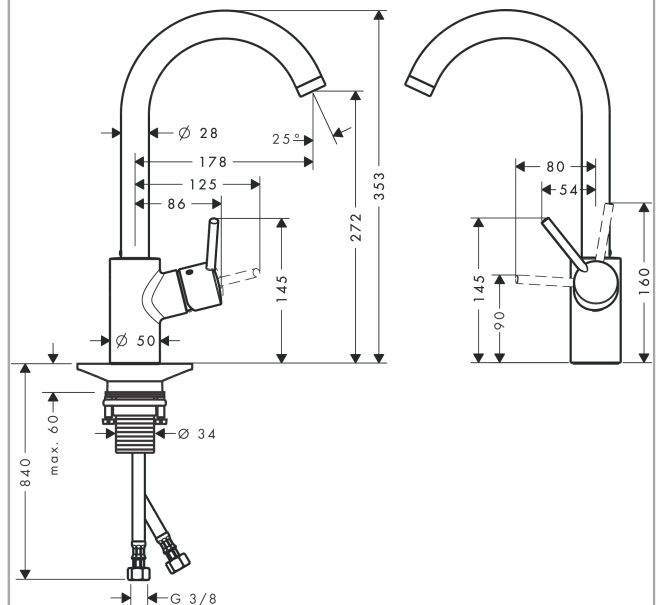
Technology



Product image



Scale drawing



Flowchart

