

Cup-shaped trap standard model

Surfaces: **Chrome** Article Number: **52053000**



Description

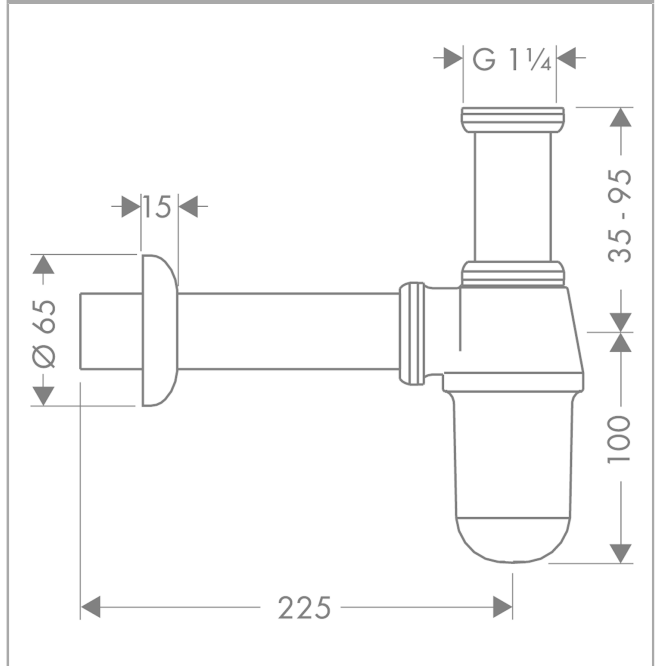
product features

- adjustment distance 35 - 95 mm
- distance to wall 225 mm
- connection dimension entry: G 1¼

Product image



Scale drawing



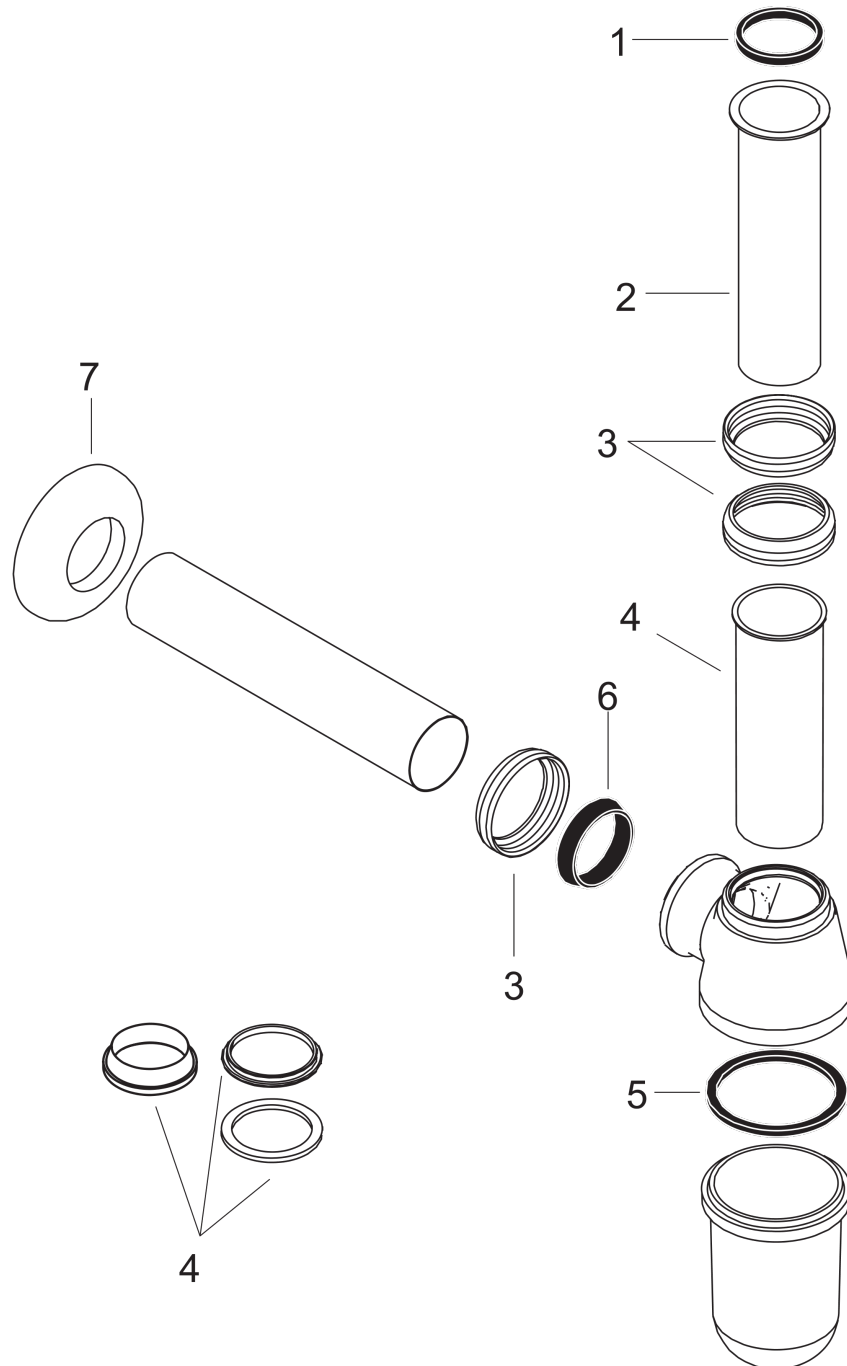
Cup-shaped trap standard model

Surfaces: **Chrome** Article Number: **52053000**



Exploded Drawing

Year of production: >01/77



Cup-shaped trap standard model

Surfaces: **Chrome** Article Number: **52053000**



Spare part list

Year of production: >01/77

Pos.	Description	Article Number	Price	PU
1	seal 1¼"	53971000	-	1
2	pipe 1¼" 300 mm	53428000	-	1
3	hand nut 1¼"	53951000	-	1
4	dip tube set 1¼" 100 mm	94203000	-	1
5	hose ring 50x54,5x3	53982000	-	1
6	wedge-shaped seal 1¼"	53985000	-	1
7	flange 1¼"x65x15	53964000	-	1