

**Design trap Flowstar S**

Surfaces: **Brushed Bronze** Article Number: **52105140**



**Description**

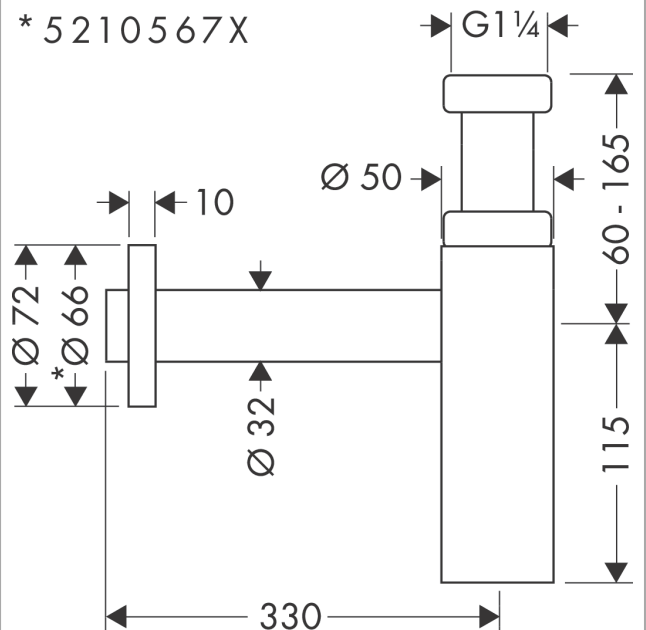
**product features**

- adjustment distance 60 - 165 mm
- distance to wall 330 mm
- connection dimension entry: G 1¼
- connection dimension outlet DN32

**Product image**



**Scale drawing**



**Design trap Flowstar S**

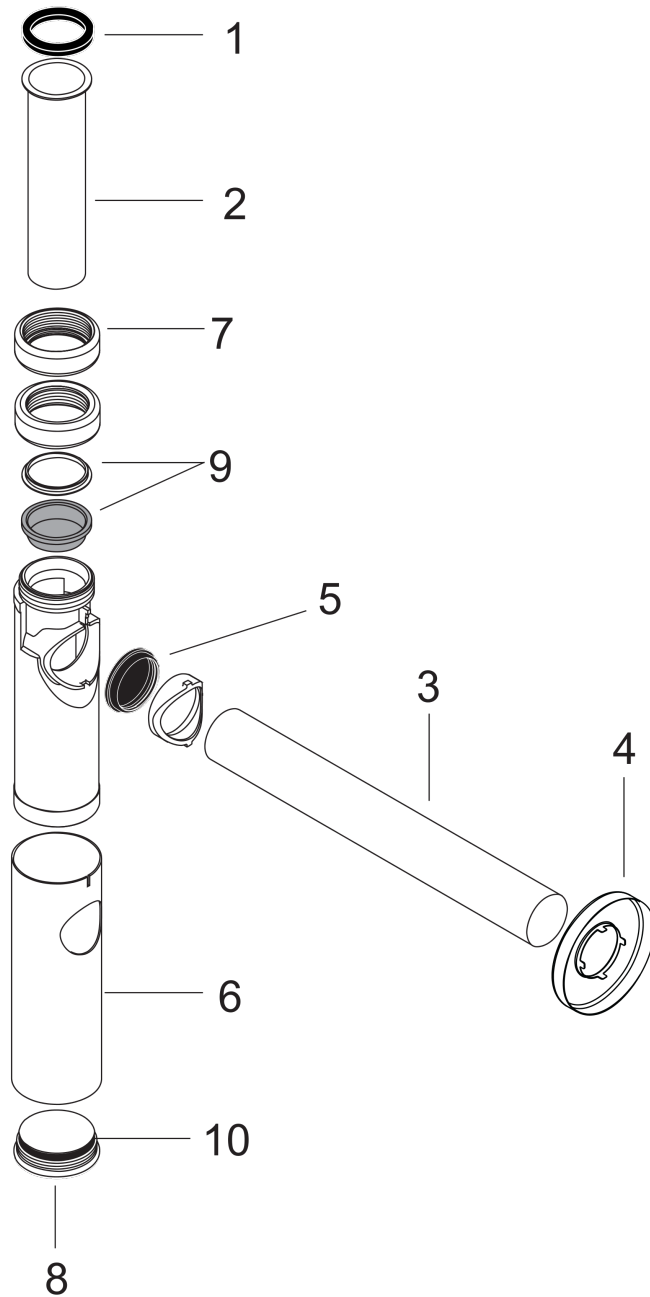
Surfaces: **Brushed Bronze**

Article Number: **52105140**



**Exploded Drawing**

Year of production: >11/16



## Design trap Flowstar S

Surfaces: **Brushed Bronze**

Article Number: **52105140**



### Spare part list

Year of production: >11/16

Pos.	Description	Article Number	Price	PU
1	seal 1¼"	53971000	-	1
2	sleeve pipe 1¼" 150 mm	96420140	-	1
3	wall pipe 1¼" 500 mm	53493140	-	1
4	escutcheon	96490140	-	1
5	sealed box	96487000	-	1
6	sleeve	96554140	-	1
7	sleeve nut	97702140	-	1
8	plug	97258000	-	1
9	wedge-shaped seal 1¼"	97701000	-	1
10	O-ring 38x2,5	98198000	-	1
a	pipe 1¼" 300 mm	53428000	-	1