

Design trap Flowstar S

Surfaces: **Matt White** Article Number: **52105700**



Description

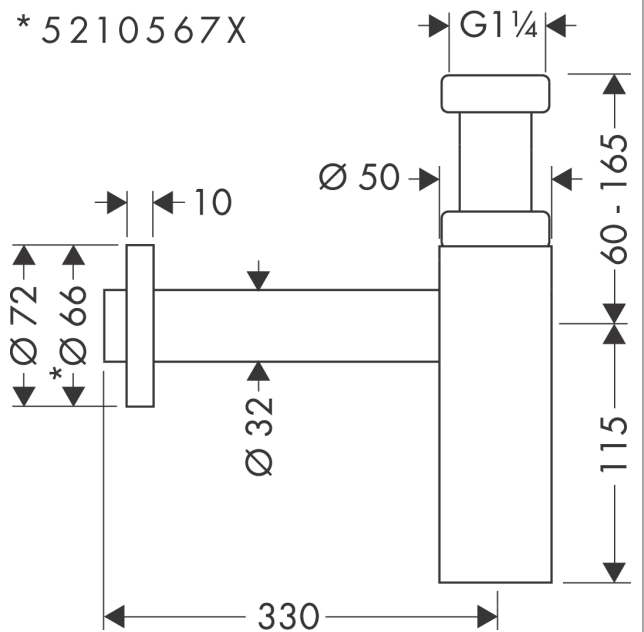
product features

- adjustment distance 60 - 165 mm
- distance to wall 330 mm
- connection dimension entry: G 1¼
- connection dimension outlet DN32

Product image



Scale drawing



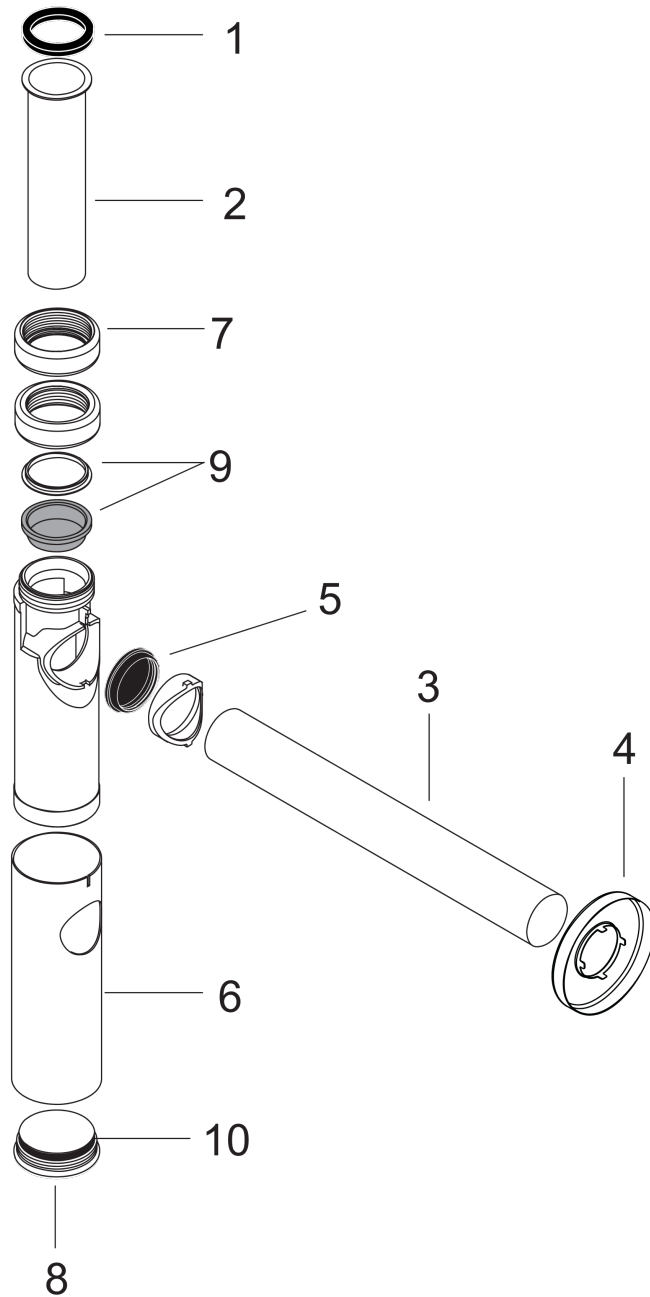
Design trap Flowstar S

Surfaces: **Matt White** Article Number: **52105700**



Exploded Drawing

Year of production: >11/19



Design trap Flowstar S

Surfaces: **Matt White** Article Number: **52105700**



Spare part list

Year of production: >11/19

Pos.	Description	Article Number	Price	PU
1	seal 1¼"	53971000	-	1
2	sleeve pipe 1¼" 150 mm	96420700	-	1
3	wall pipe 1¼" 500 mm	53493700	-	1
4	escutcheon	96490700	-	1
5	sealed box	96487000	-	1
6	sleeve	96554700	-	1
7	sleeve nut	97702700	-	1
8	plug	97258000	-	1
9	wedge-shaped seal 1¼"	97701000	-	1
a	pipe 1¼" 300 mm	53428000	-	1