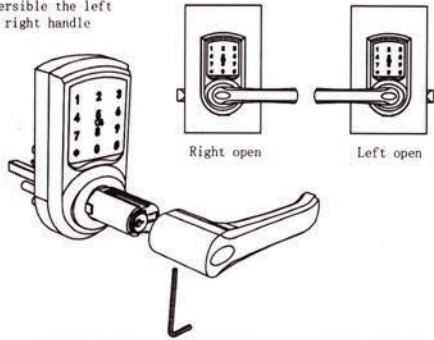
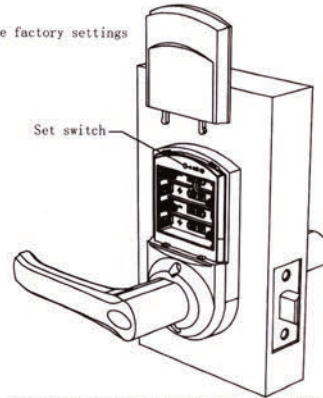


Reversible the left and right handle

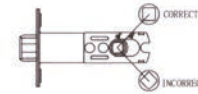


Use a hex key to loosen the handle screw (do not need to screw it out, completely just screw it out until the handle can be pulled out), interchange the front and rear handles, and then tighten the handle screw

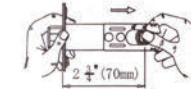
Restore factory settings



When the door lock is powered on, press the switch with a small needle through the circular hole for 5 seconds, and the system will return to the factory status



Adjust the backset, it is 2 1/4" (60mm) and 2 1/4" (70mm)



III: Operation instructions

1. Feature:

- The password length is 6-12 digits. After entering the password or reading the card successfully, the screen will light up the user's ID number (if the screen lights up the zero key, lights up the 1 key, and then lights up the 3 key, it means that the user's ID number is 013)
- Any password can open the door at factory status except card
- To prevent peeping, you can add some irrelevant codes before and after the password, and then press the confirm key (the maximum length is 15 bits). you can enter the password as follows: XXX password XXX #
- When the lock voltage is too low, enter the password or read the card, the lock will send out an alarm prompt (Duo Mi duo mi). After the alarm prompt, it can be opened 200 times. Please replace the battery in time
- Lock the keyboard for 1 minute if inputting wrong password for more than 6 times continuously. the system will not respond to any operation within 1 minute, and unlock automatically after 1 minute.

2. Reset the system to restore the factory settings (any password can be opened in the initialization state)

Press the reset switch for 5 seconds, release the setting key after five drops, and then beep twice, initialization is successful

3. Add user (only one administrator can be added. The ID number of the administrator is 000. Both card and password can be added as administrator. The same password cannot be registered repeatedly. The registered card cannot be registered repeatedly.)

a. Add administrator (factory state): *12# → new administrator password → # → new administrator password again → # → ✓
Put the card on the card reading area → ✓

b. Add ordinary password user (Can be added continuously):

*12# → administrator password or card → # → new user password → # → new user password again → # → ✓

c. Add card user (Can be added continuously): *12# → administrator password or card → # → Put the card on the card reading area → ✓

4. Change operation (You can change the password user of the original ID to the card user, and you can also change the original card user to the password user)

a. Change administrator password: *22# → administrator password or card → # → old administrator password → # → new administrator password → # → new administrator password again → # → ✓

b. Change user password: *22# → administrator password or card → # → old user password → # → new user password → # → new user password again → # → ✓

5. Delete operation

a. Delete a single user password or user card: (the ID number is sorted according to the entry order, the ID number of the first user is 001, the ID number of the second user is 002, and so on): *32# → administrator password or card → # → ID number of the user → # → ✓

b. Delete all users (except administrator): *32# → administrator password or card → # → Enter 00000 → # → ✓

6. Normally open mode

*12# → administrator password or card → # → ✓ normally open mode set successfully

Release the normally open: it is the same way that you set normally open mode. Or removing the battery and touch the screen for several times and then install the battery. Or reset the system, this two ways also can release the normally open. under the normally open, the door can be opened without password, just pressing hand directly. note: there will be potential safety hazard after using this function, it is necessary to fully understand before using it.

7. quiet mode

*52# → administrator password or card → # → ✓ quiet mode set successfully.

Release the quiet mode: it is the same way that you set the quiet mode. The buzzer will not make any sound during operation after mute.

IV: Note !

- Although the door lock is treated with simple waterproof treatment, it cannot be installed outdoors that can get wet, so as to avoid damage caused by water entering into the line
- The door lock does not have fire protection function and is not suitable to be installed on the fire door
- Do not use inferior batteries to avoid battery leakage damaging the power supply system
- Please pay attention to the positive and negative poles of the battery when installing the battery
- Do not use sharp hard objects to scratch the surface of the touch key screen
- Do not wipe the lock surface with corrosive liquid to avoid damaging the electroplated layer
- If the administrator password is forgotten, the lock can be reset to the factory status
- After the door lock has been used for a long time, in order to ensure the flexibility of handle rotation, please remove the door lock and add lubricating oil to the rotating part inside the handle

V: Common problem

1. No electricity

- Check whether the connectors of the connecting wires of the front and rear plates are connected properly
- Is the battery installed? Is the battery installed reversely

2. The lock can't be opened

- Whether the password is correct, and whether the card or password has been deleted
- The door shall be opened within 5 seconds after entering the password and other door opening modes. If the door is not opened, it will return to the free state
- Touch the screen to see whether the screen can activate the light and whether the normally open mode is set

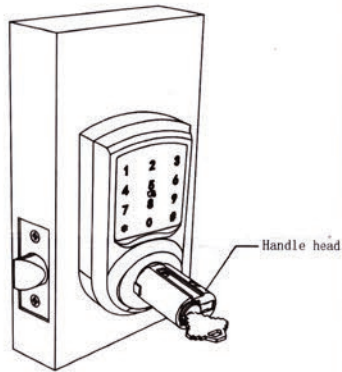
3. Fast power consumption

Check whether the battery is of poor quality. Normally, the battery can be used about one year

VI: Specification parameter

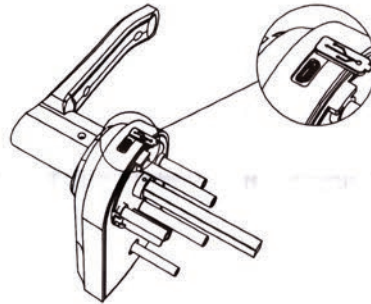
Power supply	4.5V-6.5V (4 AA battery)	Card quantity	300 (sum of door opening card and password)	relative humidity	20%-93%	APP	without
Quiescent current	Less than 40 uA	Password quantity		Doorthickness	33mm-52mm	Card type	MIFARE M1
Dynamic current	Less than 250mA	working temperature	-20° C-70°C	Unlocking method	Password, card, key		

Using the key to open the lock

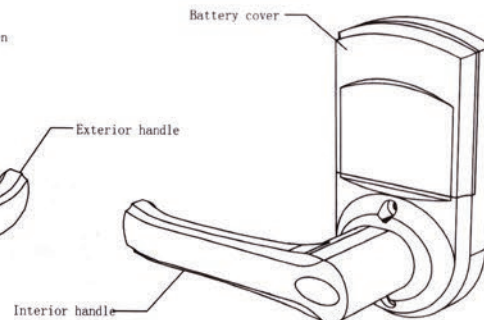
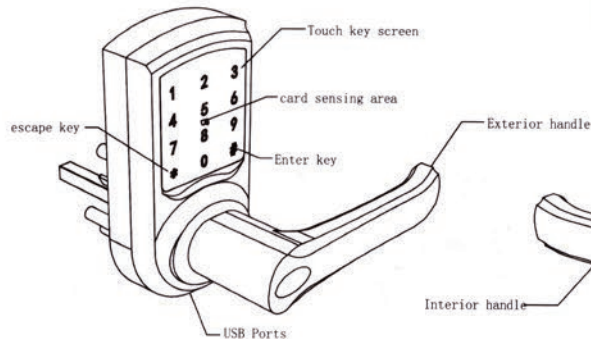


Remove the handle, insert the key

USB emergency external power supply



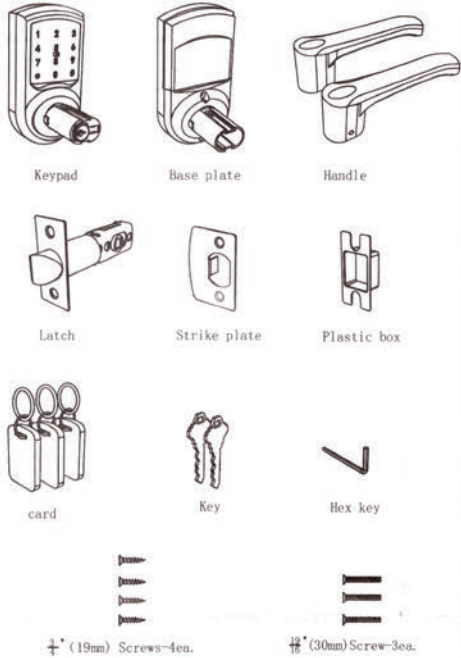
When the door lock voltage is too low, uncovering the USB sealing glue can connect the USB port with the charger for temporary power supply



INSTRUCTION FOR ELECTRONIC DOOR LOCK (Applicable Model: E010, E011)

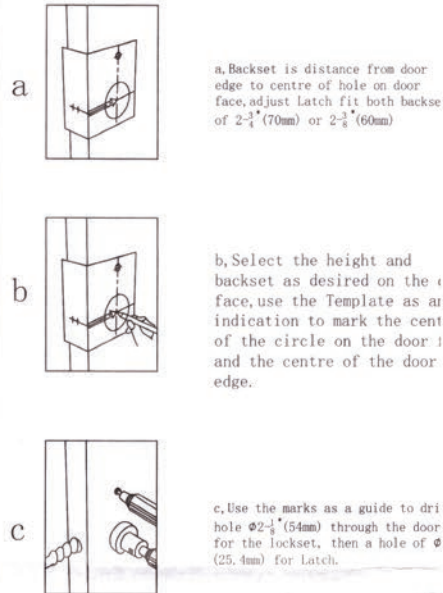
This manual is applicable to multiple models. The physical appearance may not be in accordance with the manual, but the operation is the same, it will not affect use.

I: Package Contents

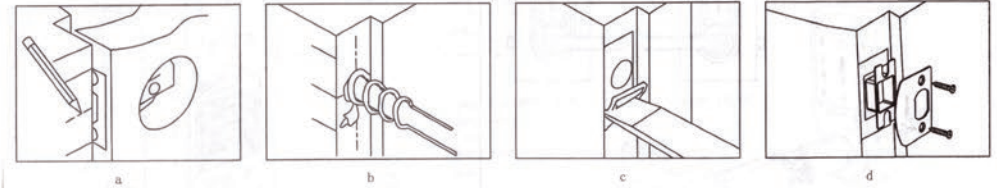


II: Installation and commissioning

1. Punching in the door according to the dimension requirement.



2. Install Strike



Close door and mark horizontal centre of Latch on to door frame. Mark vertical line where door edge meets frame and measure in half of door thickness to find vertical centre. Extend both lines until they intersect and drill a $1\frac{1}{8}$ " (25.4mm) hole to $\frac{1}{2}$ " (15mm) depth. Position Strike plate and mark around edge. Chisel fram to approx $\frac{1}{16}$ " (1.6mm) depth or until Strike sits flush. Using two wood screws fix Strike to the frame.

3. Installation step

The standard is that people stand outside the door facing the door (the hinge on the left is left open, and the hinge on the right is right open)

