

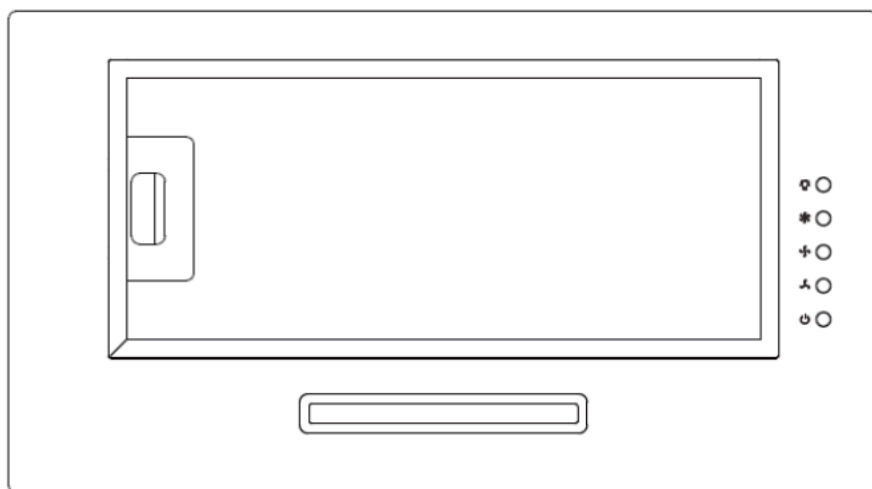
MasterMaid®

RANGEHOOD USER MANUAL

MODEL:

96607 /

96608



Thanks very much for choosing our product, please carefully read the following important information regarding installation safety and maintenance. And keep this information booklet accessible for further consultations.

Dear Customer,

If you follow the recommendations contained in this Instruction Manual, our appliance will give you constant high performance and will remain efficient for many years to come.

Product Specification & Technical Parameters

Model	96607/ 96608/
Rated Voltage	110V
Rated Power Frequency	60Hz
Light Power	1x4W
Motor Power	1*70W
Total Power	74W
Motor	1
Diameter of Outlet Adapter	120mm

RECOMMENDATIONS AND SUGGESTIONS

INSTALLATION

* The manufacturer will not be held liable for any damages resulting from incorrect or improper installation.

* Please read this instruction manual before installing and using this range hood. Please keep this instruction manual in a safe place for future reference.

* Only a qualified and trained service technician can undertake the work of installation and servicing.

* Check that the main voltage corresponds to the one indicated on the rating plate fixed inside the hood.

* If the hood is used in conjunction with non-electrical appliances (e. g. gas burning appliances), a sufficient degree of ventilation must be guaranteed in the room in order to prevent the backflow of exhaust gas. The kitchen must have an opening directly with the open air in order to guarantee the entry of clean air.

* The minimum distance is 750mm from the range hood to a gas hob, and is 650mm to an electric hob. If the installation instructions for gas hobs specify a greater distance, this must be taken into account.

NOTICE: Two or more people are required to install or move this appliance. Failure to do so can cause physical injuries.

USE

* The range hood has been designed only for domestic use to eliminate kitchen fumes.

* Never use the hood for purposes other than what it has not been designed for.

* Never leave high naked flames under the hood when it is in operation.

* Adjust the flame intensity to direct it onto the bottom of the pan only; making sure that it does not engulf the pan sides.

* Deep fat fryer must be continuously monitored during use: overheated oil can burst into flame.

* The hood should not be used by children or persons not instructed in its correct use.

MAINTENANCE

* Proper maintenance of the range hood will assure proper performance of the unit.

* Disconnect the hood from the main supply before carrying out any maintenance work.

* Clean and/or replace aluminum grease filters and activated charcoal filters after specified period of time.

* Clean the hood using a damp cloth and a neutral liquid detergent.

* **DISPOSAL:** Do not dispose this product as unsorted municipal waste. Collection of such waste separately for special treatment is necessary.

WARNING!!

In certain circumstances electrical appliances may be a danger hazard.

* Do not check the status of the filters while the cooker hood is operating

* Do not touch the light bulbs after appliance use

* Do not disconnect the appliance with wet hands.

* To reduce the risk of fire or electric shock, do not use this fan with any

solid-state.

- * Avoid free flame, as it would do damage to the filters from a fire hazard
- * Constantly check food frying to avoid that the overheated oil may become a fire hazard
- * Disconnect the electrical plug prior to any maintenance or servicing.
- * Children don't recognize the risks of electrical appliances. Therefore use or keep the appliance only under supervision of adults and out of the reach from children.

* TO REDUCE THE RISK OF FIRE, ELECTRIC SHOCK, OR INJURY TO PERSONS, OBSERVE THE FOLLOWING:

- a) Installation work and electrical wiring must be done by qualified person(s) in accordance with all applicable codes and standards, including fire-rated construction.
- b) Sufficient air is needed for proper combustion and exhausting of gases through the flue (chimney) of fuel burning equipment to prevent back drafting.
- c) When cutting or drilling into wall or ceiling, do not damage electrical wiring and other hidden utilities.
- d) Ducted fans must always be vented to the outdoors.

* Don't use this product outdoors.

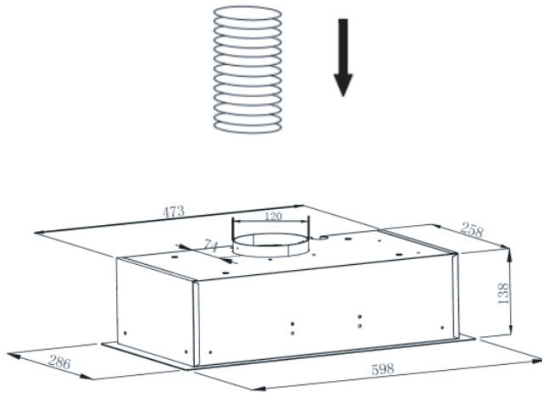
* This appliance is not intended for use by persons (including children) with reduced physical, sensory or mental capabilities, or lack of experience and knowledge, unless they have been given supervision or instruction, concerning use of the appliance by a person responsible for their safety. Children should be supervised to ensure that they do not play with the appliance.

* There shall be adequate ventilation of the room when the range hood is used at the same time as appliances burning gas or other fuels.

* There is a fire risk if cleaning is not carried out in accordance with instructions.

* The exhaust air must not be discharged into a flue which is used for exhausting fumes from appliances burning gas or other fuels.

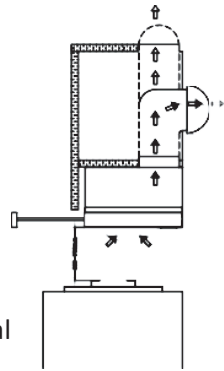
DIMENSIONS



INSTALLATION & USE

Ducting or circulation

The hood draws the cooking fumes saturated with fumes and odor, through the grease filters and expels it to the outside through an outlet pipe, or circulates it back into the kitchen through carbon filter.



Cautions: To reduce the risk of fire, the use of metal ductwork is preferred.

Do not use flammable material to convey exhaust air.

1. Decide where the ductwork will run between the hood and the outside.
2. A straight, short duct run will allow the hood to perform most efficiently.
3. Long duct runs, elbows, and transitions will reduce the performance of the hood. Use as few of them as possible. Larger ducting may be required for best performance with larger duct runs.
4. The air must not be discharged into a flue that is used for exhausting fumes from appliance burning gas or the flues. Regulations concerning the

discharge of air have to be followed. Check with the local authority and building codes for exhaust ducting requirements.

5. Install a roof/wall cap. Connect round metal ductwork to cap and work back towards hood location

Electrical Connection

*Electrical wiring must be done by a qualified person(s) in accordance with all applicable codes and standards. **Turn off electrical power at service entrance before wiring.**

*If the supply cord is damaged, it must be replaced by the manufacturer, its service agent or similarly qualified persons in order to avoid a hazard.

*Do not use the plug and an extension cord other than the ones initially supplied with the hood.

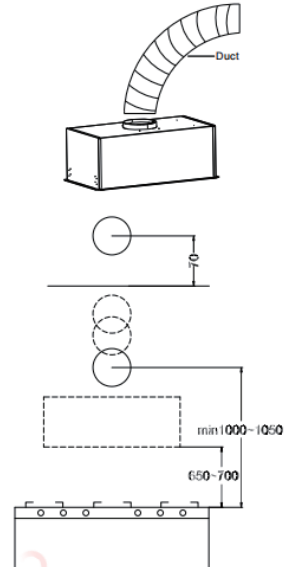
INSTALLATION

Before beginning installation, to better handle the hood, we advise removing the aluminum filter.

Before fixing, the outlet exhaust duct for air evacuation to the outside must be installed. Use an outlet exhaust duct with:

- minimum indispensable length;
- Minimum possible bends (maximum angle of bend: 90°);
- certified material (according to local, building & fire regulations);
- and as smooth as possible inside. It is also advisable to avoid any drastic changes in duct cross-section (recommended diameter: 125mm).

Drill the hole in the wall for the air outlet (133 mm diameter) referring to drawings here on the right where the measurements for the various possibilities are indicated.

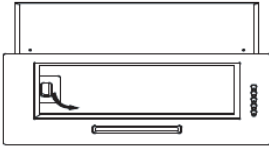
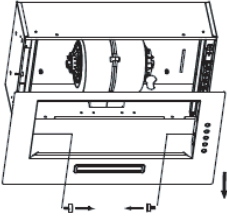
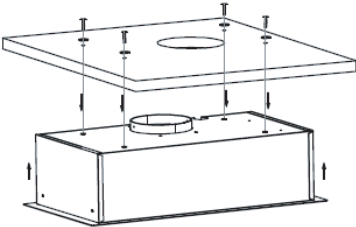
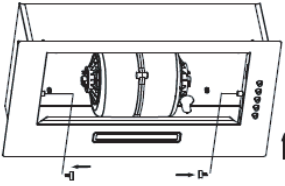


Decide on the position of the hole for the air outlet: The hole must be in the ceiling, according to your requirements, but must be in vertical line with your hood. Bear in mind that the hood can expel air through the top air outlet only.

Fitting under wall unit

1. Remove the grease filter.
2. Remove the two thumb screws (M4*8) securing the extractor frame to the hood.
3. Lift the cooker hood inside the cabinet, align the 2 screw holes respectively on the front and back side of the hood housing with the cabinet board, secure the hood housing onto the cabinet board with 4 screws(ST4*30mm).
4. Refit the extractor frame using 2 thumb screws (M4*8)
5. Refit the grease filter.

Installation is now complete.

<p>1. Take out the aluminum filter</p> 	<p>2. Screw out the screws and remove the front plate.</p> 
<p>3. Place the range hood in the cabinet, align the holes in the cabinet with the holes in the range hood, and secure the range hood to the cabinet using four screws and washers</p> 	<p>4. Reinstall the panel and tighten the screws. Finally put back the aluminum filter.</p> 

Notice:

- Exhaust air must not be discharged into a flue which is used for exhausting fumes from appliance burning gas or other fuels.
- If the instructions for installation for the gas hob specify a greater distance than 650mm, this has to be taken into account.
- The regulations concerning the discharge of exhaust air have to be followed.

OPERATION

Cooker hood use the push button on the face plate.



-Lighting

-High speed

-Medium speed

-low speed

-on/off

From top to down are light switch, high speed switch, medium speed switch, low speed switch, on/off switch.

The light switch turns the lamps on and off.

The fan switch turns the fan on to three speed settings:

3-HIGH SPEED

2-MEDIUM SPEED

1-LOW SPEED

The on/off switch turns the blower on and off

MAINTENANCE

GREASE FILTER

The grease filters should be cleaned frequently (every two months of operation, or more frequently for heavy use). Use a warm detergent solution.

Grease filters are washable.

LAMPS

This range hood requires one LED strip (AC 110V, 4W Max).

HOOD CLEANING

Stainless steel is one of the easiest parts to keep clean. Occasional care will help preserve its fine appearance.

Cleaning tips:

- * Hot water with soap or detergent is all that is usually needed.
- * Follow all cleaning by rinsing with clear water. Wipe dry with a clean, soft cloth to avoid water marks.
- * For discolorations or deposits that persist, use a non-scratching household cleanser or stainless steel polishing powder with a little water and a soft cloth.
- * For stubborn cases use a plastic scouring pad or soft bristle brush together with cleanser and water. Rub lightly in direction of polishing lines or "grain" of the stainless finish. Avoid using too much pressure that may mar the surface.
- * Do not allow deposits to remain for long periods of time.
- * Do not use ordinary steel wool or steel brushes. Small bits of steel may adhere to the surface causing rust.
- * Do not allow salt solutions, disinfectants, bleaches, or cleaning compounds to remain in contact with stainless steel for extended periods. Many of these compounds contain chemicals that may be harmful. Rinse with water after exposure and wipe dry with a clean cloth.
- * Painted surfaces should be cleaned with warm water and mild detergent only.



