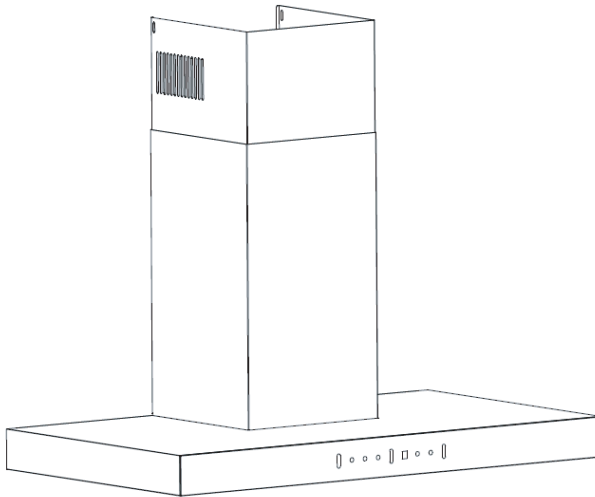


DIPIU

RANGEHOOD USER MANUAL

MODEL



Thanks very much for choosing our product, please carefully read the following important information regarding installation safety and maintenance. And keep this information booklet accessible for further consultations.

Dear Customer,

If you follow the recommendations contained in this Instruction Manual, our appliance will give you constant high performance and will remain efficient for many years to come.

Product Specification & Technical Parameters

Model	96612/
Rated Voltage	110V
Rated Power Frequency	60Hz
Light Power	LED 20Wx1 MAX
Motor Power	150W
Total Power	170W
Motor	Single
Diameter of Outlet Adapter	150mm
Dimension (mm)	W900 X D500 X H570min~950max

RECOMMENDATIONS AND SUGGESTIONS

INSTALLATION

- * The manufacturer will not be held liable for any damages resulting from incorrect or improper installation.
- * Please read this instruction manual before installing and using this range hood. Please keep this instruction manual in a safe place for future reference.
- * Only a qualified and trained service technician can undertake the work of installation and servicing.
- * Check that the main voltage corresponds to the one indicated on the rating plate fixed inside the hood.
- * If the hood is used in conjunction with non-electrical appliances (e. g. gas burning appliances), a sufficient degree of ventilation must be guaranteed in the room in order to prevent the backflow of exhaust gas. The kitchen must have an opening directly with the open air in order to guarantee the entry of clean air.
- * The minimum distance is 750mm from the range hood to a gas hob, and is

650mm to an electric hob. If the installation instructions for gas hobs specify a greater distance, this must be taken into account.

NOTICE: Two or more people are required to install or move this appliance. Failure to do so can cause physical injuries.

USE

- * The range hood has been designed only for domestic use to eliminate kitchen fumes.
- * Never use the hood for purposes other than what it has not been designed for.
- * Never leave high naked flames under the hood when it is in operation.
- * Adjust the flame intensity to direct it onto the bottom of the pan only; making sure that it does not engulf the pan sides.
- * Deep fat fryer must be continuously monitored during use: overheated oil can burst into flame.
- * The hood should not be used by children or persons not instructed in its correct use.

MAINTENANCE

- * Proper maintenance of the range hood will assure proper performance of the unit.
- * Disconnect the hood from the main supply before carrying out any maintenance work.
- * Clean and/or replace aluminum grease filters and activated charcoal filters after specified period of time.
- * Clean the hood using a damp cloth and a neutral liquid detergent.
- * **DISPOSAL:** Do not dispose this product as unsorted municipal waste. Collection of such waste separately for special treatment is necessary.

WARNING!!

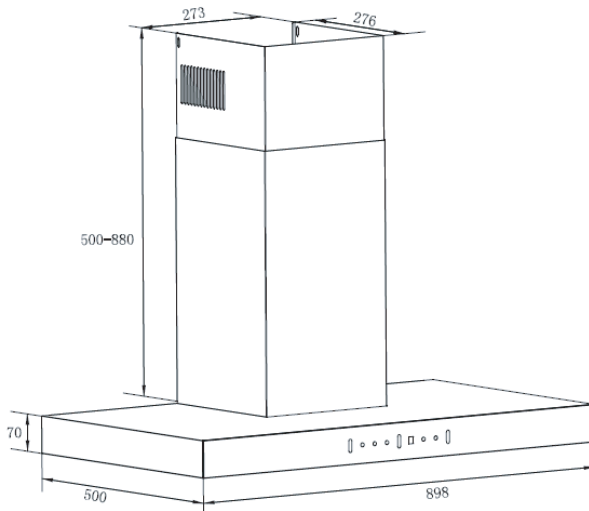
In certain circumstances electrical appliances may be a danger hazard.

- * Do not check the status of the filters while the cooker hood is operating
- * Do not touch the light bulbs after appliance use

- * Do not disconnect the appliance with wet hands.
- * To reduce the risk of fire or electric shock, do not use this fan with any solid-state.
- * Avoid free flame, as it would do damage to the filters from a fire hazard
- * Constantly check food frying to avoid that the overheated oil may become a fire hazard
- * Disconnect the electrical plug prior to any maintenance or servicing.
- * Children don't recognize the risks of electrical appliances. Therefore use or keep the appliance only under supervision of adults and out of the reach from children.
- * TO REDUCE THE RISK OF FIRE, ELECTRIC SHOCK, OR INJURY TO PERSONS, OBSERVE THE FOLLOWING:
 - a) Installation work and electrical wiring must be done by qualified person(s) in accordance with all applicable codes and standards, including fire-rated construction.
 - b) Sufficient air is needed for proper combustion and exhausting of gases through the flue (chimney) of fuel burning equipment to prevent back drafting.
 - c) When cutting or drilling into wall or ceiling, do not damage electrical wiring and other hidden utilities.
 - d) Ducted fans must always be vented to the outdoors.
- * Don't use this product outdoors.
- * This appliance is not intended for use by persons (including children) with reduced physical, sensory or mental capabilities, or lack of experience and knowledge, unless they have been given supervision or instruction, concerning use of the appliance by a person responsible for their safety. Children should be supervised to ensure that they do not play with the appliance.
- * There shall be adequate ventilation of the room when the range hood is used at the same time as appliances burning gas or other fuels.
- * There is a fire risk if cleaning is not carried out in accordance with instructions.
- * The exhaust air must not be discharged into a flue which is used for exhausting fumes from appliances burning gas or other fuels.

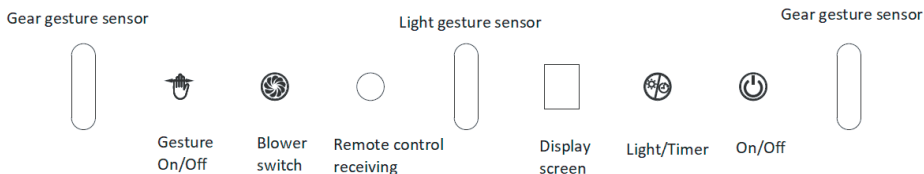
CHARACTERISTICS

DIMENSIONS



INSTALLATION & USE

OPERATION OF CONTROLS

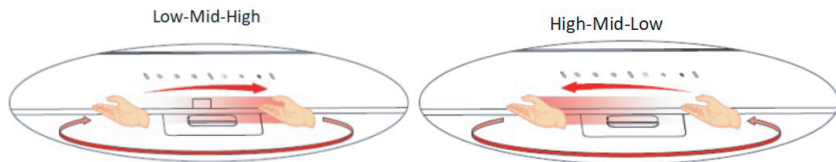


The hood is operated by using the touch control on the front panel or by a remote control.

The On/Off switch turns the hood on and off.

Gesture On/Off: Touch the gesture switch, the gesture function opened; touch the gesture switch again, the gesture function closed. After the switch is powered on, the gesture function is opened automatically.

Gear gesture sensor: move the hand from left to right, the display screen shows 0-1-2-3 speed. Move the hand from right to left, the display screen shows from 3-2-1-0 speed. The hand should be controlled within a distance of 100mm.



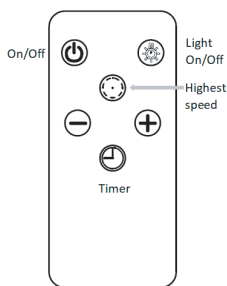
Hold the hand above the light gesture sensor 1.5 seconds, the light is turned on. And hold the hand above the light gesture sensor again, the light is turned off.



The light switch turns the lamps on and off. Long touch the timer switch 3 seconds, the timing function on. Default setting is 15 minutes.

The blower switch turns the blower on to three speed settings:


- 1 - LOW SPEED
- 2 - MEDIUM SPEED
- 3 - HIGH SPEED



The hood can be also operated by a remote control.

Turn on/off the range hood by pressing  button.

Turn on/off the light by pressing  button.

Press the  button, it is the highest speed; press it again to turn off the range hood.

Press the  button to set the timing, default setting is 15 minutes.

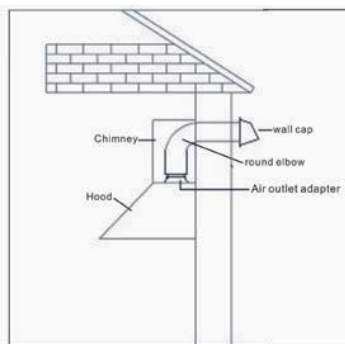
Note: The remote control can be used directly. There is a battery inside the remote control.

INSTALL THE DUCTWORK

(DUCTED HOODS ONLY)

Caution: To reduce the risk of fire, use metal ductwork is preferred.

1. Decide where the ductwork will run between the hood and the outside.
2. A straight, short duct run will allow the hood to perform most efficiently.
3. Long duct runs, elbows, and transitions will reduce the performance of the hood. Use as few of them as possible. Larger ducting may be required for best performance with longer duct runs.
4. The air must not be discharge into a flue that is used for exhausting fumes from appliances burning gas or other fuels" "Regulations concerning the discharge of air have to be fulfilled.
5. Install wall cap. Connect round metal ductwork to cap and work back towards hood location. Use duct tape to seal the joints between ductwork sections.



INSTALL ELECTRICAL

Electrical wiring must be done by a qualified person(s) in accordance with all applicable codes and standards. This range hood must be properly grounded. Turn off electrical power at service entrance before wiring.

If the supply cord is damaged, it must be replaced by the manufacturer, its service agent or similarly qualified persons in order to avoid a hazard.

INSTALL THE HOOD

Note 1 : On stainless steel hoods, carefully remove the plastic protective film from all exterior surfaces of the hood and chimney prior to final installation.

Note 2: At least two people will be required to mount the hood.

INSTALL THE HOOD

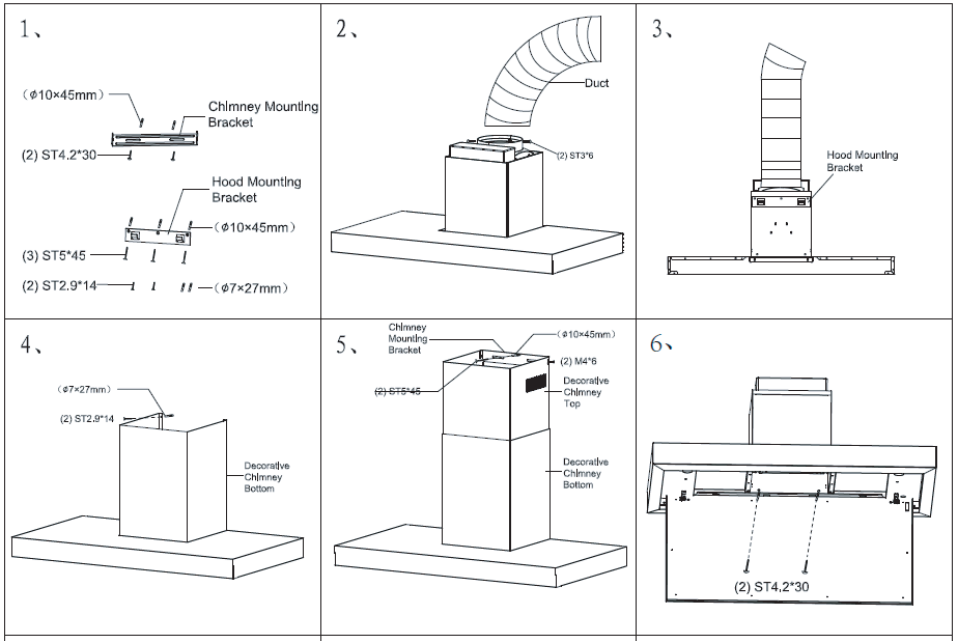
Minimum hood distance above the cooker must not be less than 650mm.

A maximum of 750mm above the cooker is highly recommended for best capture of cooking impurities.

Distance over 750mm above the cooker are at the installer's and user's discretion - providing that ceiling height and flue length permit.

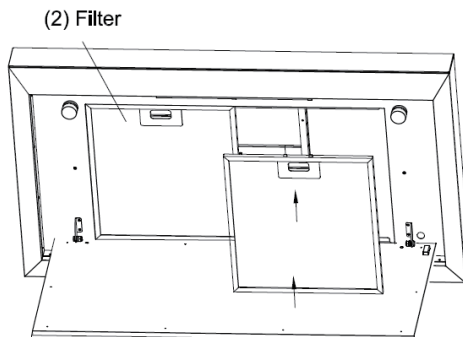


1. Secure the hood mounting bracket to the wall using (3) ST5 x 45mm mounting screws and dry wall anchors. Secure the chimney mounting bracket to the wall with (2) ST4.2*30mm mounting screws and dry wall anchors.
2. Fix the duct into the air outlet adapter with (2)ST3*6 screws.
3. Align the hood body with the hood mounting bracket. Gently lower the hood until it securely engages the bracket.
4. Carefully place the decorative chimney bottom into the recessed area of the hood body top. Secure the decorative chimney bottom to the wall with (2)ST2.9*14 screws.
5. Carefully slide the decorative chimney top down inside the decorative chimney bottom. Fix the decorative chimney top and chimney mounting bracket with (2)M4*6 screws in the side part. Raise the decorative chimney top until its holes align with holes in the chimney mounting bracket (located on the wall).
6. In order to fix the hood body, using (2)ST4.2*30 screws to fix the hood to the wall.

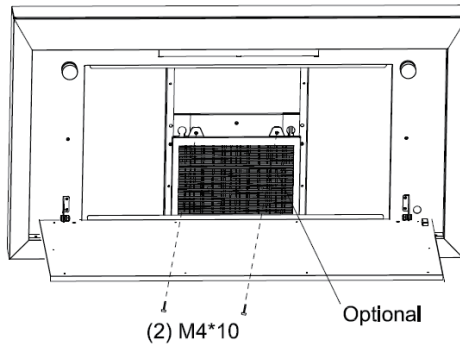


INSTALL FILTERS

1. To remove the grease filter, push in on the metal latch tab. This will disengage the filter from the hood. Tilt the filter downward and remove.
2. To install the grease filter, align rear filter tabs with slots in the hood. Push in the metal latch tab, push filter into position and release. Make sure the filter is securely engaged after assembly.



3. The charcoal filter is optional. Fix the charcoal filter with the hood by (2) M4*12 screws.



4. Install grease filter after charcoal filter is installed.

MAINTENANCE

GREASE FILTER

The grease filters should be cleaned frequently (every two months of operation, or more frequently for heavy use). Use a warm detergent solution.

Grease filters are washable.

Lamps

This range hood may require a LED panel(12V, 20W Max)

WARNING: Always switch off the electrical supply before carrying out any operation on the appliance.

HOOD CLEANING

Stainless steel is one of the easiest parts to keep clean. Occasional care will help preserve its fine appearance.

Cleaning tips:

- * Hot water with soap or detergent is all that is usually needed.
- * Follow all cleaning by rinsing with clear water. Wipe dry with a clean, soft cloth to avoid water marks.
- * For discolorations or deposits that persist, use a non-scratching household cleanser or stainless steel polishing powder with a little water and a soft cloth.
- * For stubborn cases use a plastic scouring pad or soft bristle brush together with cleanser and water. Rub lightly in direction of polishing lines or "grain" of the stainless finish. Avoid using too much pressure that may mar the surface.
- * Do not allow deposits to remain for long periods of time.
- * Do not use ordinary steel wool or steel brushes. Small bits of steel may adhere to the surface causing rust.
- * Do not allow salt solutions, disinfectants, bleaches, or cleaning compounds to remain in contact with stainless steel for extended periods. Many of these compounds contain chemicals that may be harmful. Rinse with water after exposure and wipe dry with a clean cloth.
- * Painted surfaces should be cleaned with warm water and mild detergent only.

