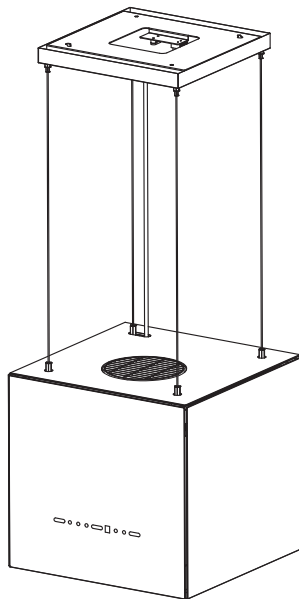


DIPIU

RANGEHOOD USER MANUAL

MODEL

96613



Thanks very much for choosing our product, please carefully read the following important information regarding installation safety and maintenance. And keep this information booklet accessible for further consultations.

Dear Customer,

If you follow the recommendations contained in this Instruction Manual, our appliance will give you constant high performance and will remain efficient for many years to come.

Product Specification & Technical Parameters

Model	96613,
Rated Voltage	110V
Rated Power Frequency	60Hz
Light Power	LED 4Wx2 MAX
Motor Power	150W
Total Power	158W
Motor	Single
Diameter of Outlet Adapter	150mm
Dimension (mm)	W410 X D410 X H450min~1500max

RECOMMENDATIONS AND SUGGESTIONS

INSTALLATION

- * The manufacturer will not be held liable for any damages resulting from incorrect or improper installation.
- * Please read this instruction manual before installing and using this range hood. Please keep this instruction manual in a safe place for future reference.
- * Only a qualified and trained service technician can undertake the work of installation and servicing.
- * Check that the main voltage corresponds to the one indicated on the rating plate fixed inside the hood.
- * If the hood is used in conjunction with non-electrical appliances (e. g. gas burning appliances), a sufficient degree of ventilation must be guaranteed in the room in order to prevent the backflow of exhaust gas. The kitchen must have an opening directly with the open air in order to guarantee the entry of clean air.
- * The minimum distance is 750mm from the range hood to a gas hob, and is

650mm to an electric hob. If the installation instructions for gas hobs specify a greater distance, this must be taken into account.

NOTICE: Two or more people are required to install or move this appliance. Failure to do so can cause physical injuries.

USE

- * The range hood has been designed only for domestic use to eliminate kitchen fumes.
- * Never use the hood for purposes other than what it has not been designed for.
- * Never leave high naked flames under the hood when it is in operation.
- * Adjust the flame intensity to direct it onto the bottom of the pan only; making sure that it does not engulf the pan sides.
- * Deep fat fryer must be continuously monitored during use: overheated oil can burst into flame.
- * The hood should not be used by children or persons not instructed in its correct use.

MAINTENANCE

- * Proper maintenance of the range hood will assure proper performance of the unit.
- * Disconnect the hood from the main supply before carrying out any maintenance work.
- * Clean and/or replace aluminum grease filters and activated charcoal filters after specified period of time.
- * Clean the hood using a damp cloth and a neutral liquid detergent.
- * **DISPOSAL:** Do not dispose this product as unsorted municipal waste. Collection of such waste separately for special treatment is necessary.

WARNING!!

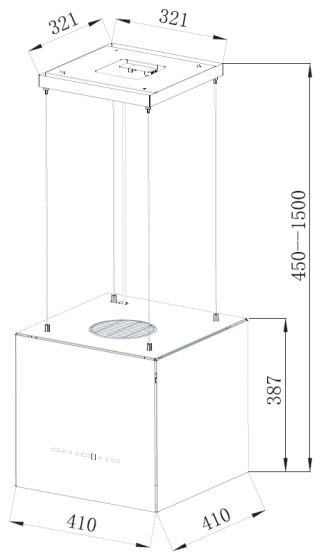
In certain circumstances electrical appliances may be a danger hazard.

- * Do not check the status of the filters while the cooker hood is operating
- * Do not touch the light bulbs after appliance use

- * Do not disconnect the appliance with wet hands.
- * To reduce the risk of fire or electric shock, do not use this fan with any solid-state.
- * Avoid free flame, as it would do damage to the filters from a fire hazard
- * Constantly check food frying to avoid that the overheated oil may become a fire hazard
- * Disconnect the electrical plug prior to any maintenance or servicing.
- * Children don't recognize the risks of electrical appliances. Therefore use or keep the appliance only under supervision of adults and out of the reach from children.
- * TO REDUCE THE RISK OF FIRE, ELECTRIC SHOCK, OR INJURY TO PERSONS, OBSERVE THE FOLLOWING:
 - a) Installation work and electrical wiring must be done by qualified person(s) in accordance with all applicable codes and standards, including fire-rated construction.
 - b) Sufficient air is needed for proper combustion and exhausting of gases through the flue (chimney) of fuel burning equipment to prevent back drafting.
 - c) When cutting or drilling into wall or ceiling, do not damage electrical wiring and other hidden utilities.
 - d) Ducted fans must always be vented to the outdoors.
- * Don't use this product outdoors.
- * This appliance is not intended for use by persons (including children) with reduced physical, sensory or mental capabilities, or lack of experience and knowledge, unless they have been given supervision or instruction, concerning use of the appliance by a person responsible for their safety. Children should be supervised to ensure that they do not play with the appliance.
- * There shall be adequate ventilation of the room when the range hood is used at the same time as appliances burning gas or other fuels.
- * There is a fire risk if cleaning is not carried out in accordance with instructions.
- * The exhaust air must not be discharged into a flue which is used for exhausting fumes from appliances burning gas or other fuels.

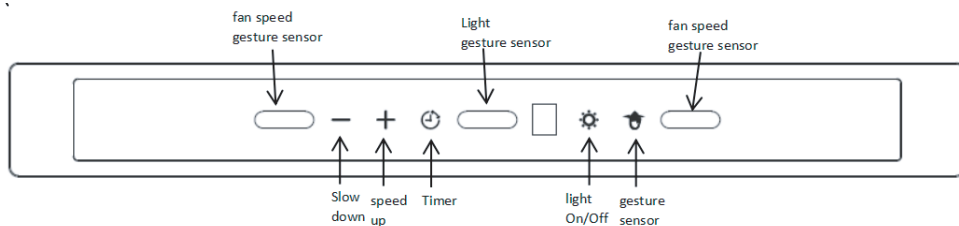
CHARACTERISTICS

DIMENSIONS



INSTALLATION & USE

OPERATION OF CONTROLS



Control panel is shown as above.


This appliance features gesture control.


Fan speed gesture sensors for fan speed control.

Light gesture sensor for switching the light on/off.


The control panel is equipped with touch controls: control functions are described below.

- reduce fan speed sensor
- + increase fan speed sensor

 Off-Timer sensor

 Light control sensor

 Gesture control management sensor.


When you plug in your appliance, all the icons and will be light up for a fraction of a second. Then display will go off. Only the  gesture control sensor is illuminated on the control panel. Touch + to activate the appliance. The + pictogram will light up.

Use the + and – sensors to increase or reduce fan speed.




To turn off the fan, touch – repeatedly until fan speed is reduced to zero.

Touch  sensor to turn on or off the light.

Off-Timer

Use Off-Timer to turn off the hood after a specified time. Use Off-Timer to filter the fumes out of the air after cooking. Touch  to activate the Off-Timer at any time. Default off-timer is 15 minutes. The hood will be turned off automatically once time is up.

Gesture control

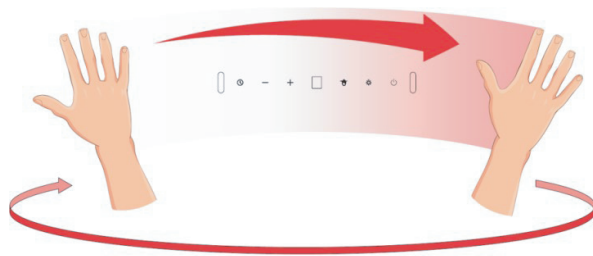
When you plug in your appliance gesture control is active and  indicator is on. Touch  to turn off the gesture control. Touch  again to reactivate gesture control.

You can use gestures to control the fan speed and lighting. When gesture control is active, you can also control the appliance using the touch sensor.

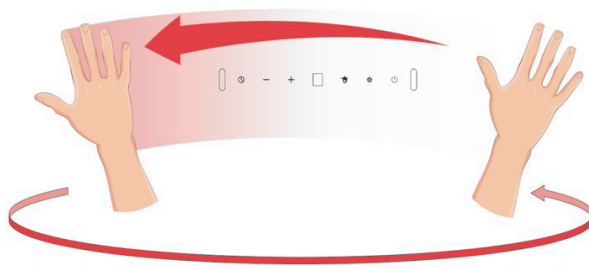
Gesture control works correctly when you move your open hand about 5cm from the surface of the control panel.

Note: Depending on the function you want to activate you need to move your hand near the sensors. The area over which to move your hand is marked on the figures presented below in this manual. Hand movements must not be too fast. Preferably, a single gesture should take about 1 second.

To turn on the fan or increase fan speed, move your hand from left to right several times in standby model. The display will show the current fan speed after each hand gesture.

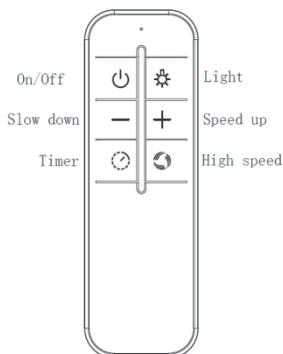


To turn off the fan or reduce fan speed, move your hand from right to left several times in standby mode until the display shows zero. The appliance will be turned off (gesture control will still be active)




To turn on/off the light, hold your hand above the light gesture sensor for 1.5 second.


**This hood can be also operated by a remote control.
It is a Radio frequency 433Mhz remote control.**




When use the remote control first time, press — and + at the same time for 3 seconds for code pairing. The range hood display shows "C" and flash. Press any buttons on the remote control, the "C" on the screen stops flashing. Now, the remote control is successfully paired with the range hood

and ready to use.

Press  to turn on/off the range hood.

Press  to turn on/off the light.

Use the + and – sensors to increase or reduce fan speed.

Press  to reach the highest speed of the hood. Press it again to turn off the range hood.

Press  to activate the Off-timer, default setting is 15 minutes.

Note: Battery is not included in the range hood package. You need to install 2 pieces of AAA 1.5V alkaline dry batteries in the remote control.

Note: The effective distance of the remote control is within 10 meters.

INSTALL ELECTRICAL

Electrical wiring must be done by a qualified person(s) in accordance with all applicable codes and standards. This range hood must be properly grounded. Turn off electrical power at service entrance before wiring.

If the supply cord is damaged, it must be replaced by the manufacturer, its service agent or similarly qualified persons in order to avoid a hazard.

INSTALL THE HOOD

Note 1 : On stainless steel hoods, carefully remove the plastic protective film from all exterior surfaces of the hood and chimney prior to final installation.

Note 2: At least two people will be required to mount the hood.

INSTALL THE HOOD

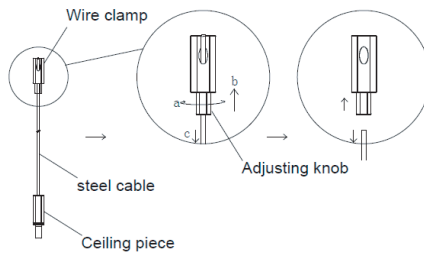
Minimum hood distance above the cooker must not be less than 650mm.

A maximum of 750mm above the cooker is highly recommended for best capture of cooking impurities.

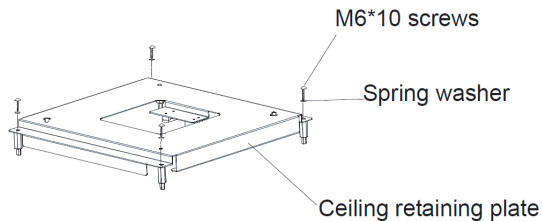
Distance over 750mm above the cooker are at the installer's and user's discretion - providing that ceiling height and flue length permit.



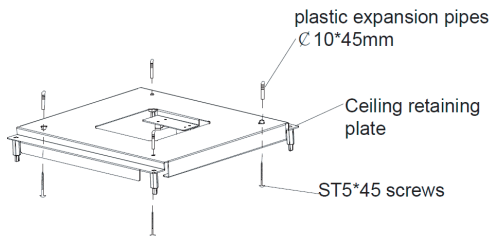
1. Turn the adjusting knob of the wire clamp counterclockwise to the appropriate position and then push upward the adjusting knob. Now, the wire clamp releases the steel cable and it can be pull-out.



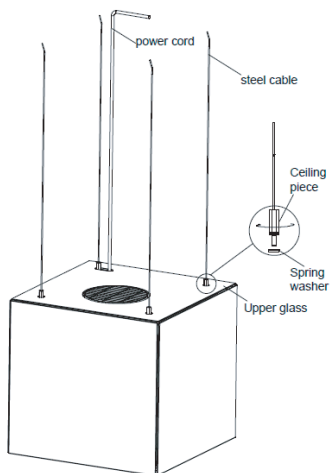
2. Lock the wire clamps into the ceiling retaining plate with 4pcs of M6*10 screws and spring washers.



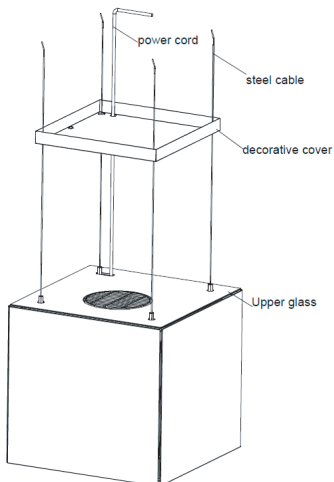
3. Determine a good position to mount the range hood. Fix the ceiling retaining plate to the ceiling with (4)ST5*45 screws and (4)plastic expansion pipes. There should be a socket inside the mounting bracket to connect the power cord.



4. Fix the four ceiling pieces with spring washers in the upper glass.

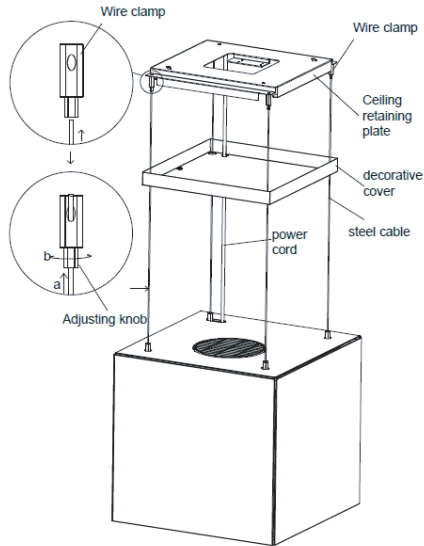


5. Put the power cord and steel cables into the holes of the decorative cover respectively.

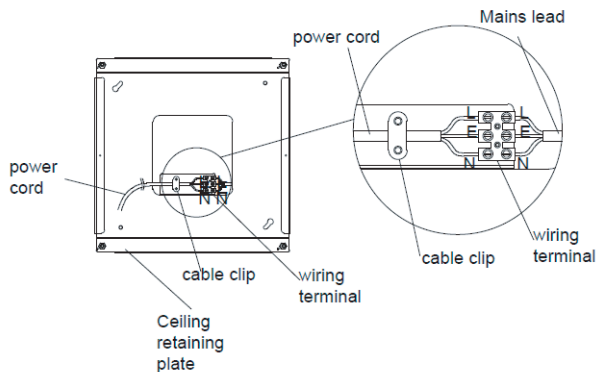


6. Thread four steel cables into the wire clamp and adjust to proper height. Then lock the adjusting knob and hang the range hood on the ceiling.

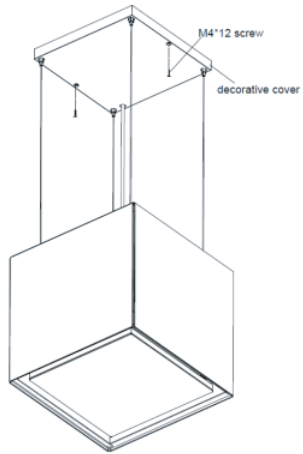
(Note: This step must be performed by two people)



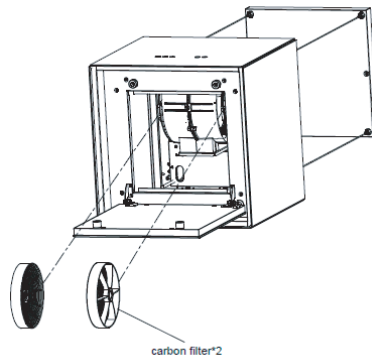
7. Thread the power cord into the cable clip and adjust to proper position, then lock the screws. Then connect the live wire, neutral wire and ground wire of the power cord and the mains lead to the terminals respectively as shown in the figure.



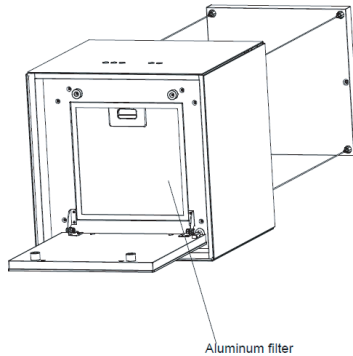
8. Fix the decorative cover in the ceiling retaining plate with 2pcs of M4*12 screws.



9. Install the carbon filter into the range hood, the carbon filter is indispensable in this product.



10. Install the aluminum filter after installed the carbon filters. Reset the movable plate. Now, the installation is finished.



MAINTENANCE

GREASE FILTER

The grease filters should be cleaned frequently (every two months of operation, or more frequently for heavy use). Use a warm detergent solution.

Grease filters are washable.

CARBON FILTER

This model is only work for recirculation mode. Carbon filter is indispensable for this model.

The carbon filter is not washable, cannot be regenerated, and should be replaced approximately every 2 months of operation. Or more frequently in the case of heavy usage.

Lamps

This range hood may require two strip LEDs. (12V, 4W*2 Max)

WARNING: Always switch off the electrical supply before carrying out any operation on the appliance.

CAUTION:

THE SURFACE, THE LIGHTS COVER MAY BE HOT. TAKE CARE WHEN REPLACING lamps.

THE LAMPS MAY BE HOT. TAKE CARE WHEN REPLACING LAMPS.

HOOD CLEANING

Stainless steel is one of the easiest parts to keep clean. Occasional care will help preserve its fine appearance.

Cleaning tips:

- * Hot water with soap or detergent is all that is usually needed.
- * Follow all cleaning by rinsing with clear water. Wipe dry with a clean, soft cloth to avoid water marks.
- * For discolorations or deposits that persist, use a non-scratching household cleanser or stainless steel polishing powder with a little water and a soft cloth.
- * For stubborn cases use a plastic scouring pad or soft bristle brush together with cleanser and water. Rub lightly in direction of polishing lines or "grain" of the stainless finish. Avoid using too much pressure that may mar the surface.
- * Do not allow deposits to remain for long periods of time.
- * Do not use ordinary steel wool or steel brushes. Small bits of steel may adhere to the surface causing rust.
- * Do not allow salt solutions, disinfectants, bleaches, or cleaning compounds to remain in contact with stainless steel for extended periods. Many of these compounds contain chemicals that may be harmful. Rinse with water after exposure and wipe dry with a clean cloth.
- * Painted surfaces should be cleaned with warm water and mild detergent only.



