

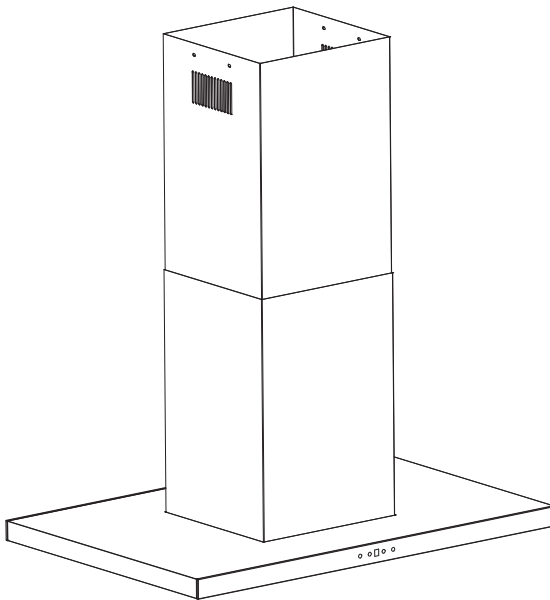


# DIPIU

## RANGEHOOD USER MANUAL

MODEL

96614-



**Thanks very much for choosing our product, please carefully read the following important information regarding installation safety and maintenance. And keep this information booklet accessible for further consultations.**

Dear Customer,

If you follow the recommendations contained in this Instruction Manual, our appliance will give you constant high performance and will remain efficient for many years to come.

## Product Specification & Technical Parameters

Model	96614/
Rated Voltage	110V
Rated Power Frequency	60Hz
Light Power	LED 2Wx4 MAX
Motor Power	230W
Total Power	238W
Motor	Single
Diameter of Outlet Adapter	150mm
Dimension (mm)	W898 X D610 X H500min~980max

## RECOMMENDATIONS AND SUGGESTIONS

### INSTALLATION

- \* The manufacturer will not be held liable for any damages resulting from incorrect or improper installation.
- \* Please read this instruction manual before installing and using this range hood. Please keep this instruction manual in a safe place for future reference.
- \* Only a qualified and trained service technician can undertake the work of installation and servicing.
- \* Check that the main voltage corresponds to the one indicated on the rating plate fixed inside the hood.
- \* If the hood is used in conjunction with non-electrical appliances (e. g. gas burning appliances), a sufficient degree of ventilation must be guaranteed in the room in order to prevent the backflow of exhaust gas. The kitchen must have an opening directly with the open air in order to guarantee the entry of clean air.
- \* The minimum distance is 750mm from the range hood to a gas hob, and is

650mm to an electric hob. If the installation instructions for gas hobs specify a greater distance, this must be taken into account.

**NOTICE:** Two or more people are required to install or move this appliance. Failure to do so can cause physical injuries.

## **USE**

- \* The range hood has been designed only for domestic use to eliminate kitchen fumes.
- \* Never use the hood for purposes other than what it has not been designed for.
- \* Never leave high naked flames under the hood when it is in operation.
- \* Adjust the flame intensity to direct it onto the bottom of the pan only; making sure that it does not engulf the pan sides.
- \* Deep fat fryer must be continuously monitored during use: overheated oil can burst into flame.
- \* The hood should not be used by children or persons not instructed in its correct use.

## **MAINTENANCE**

- \* Proper maintenance of the range hood will assure proper performance of the unit.
- \* Disconnect the hood from the main supply before carrying out any maintenance work.
- \* Clean and/or replace aluminum grease filters and activated charcoal filters after specified period of time.
- \* Clean the hood using a damp cloth and a neutral liquid detergent.
- \* **DISPOSAL:** Do not dispose this product as unsorted municipal waste. Collection of such waste separately for special treatment is necessary.

## **WARNING!!**

In certain circumstances electrical appliances may be a danger hazard.

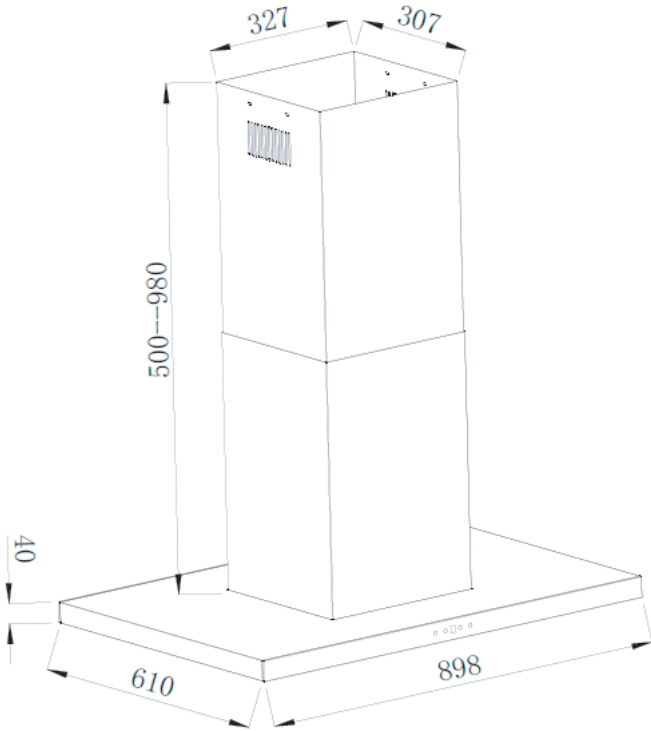
- \* Do not check the status of the filters while the cooker hood is operating
- \* Do not touch the light bulbs after appliance use

- \* Do not disconnect the appliance with wet hands.
- \* To reduce the risk of fire or electric shock, do not use this fan with any solid-state.
- \* Avoid free flame, as it would do damage to the filters from a fire hazard
- \* Constantly check food frying to avoid that the overheated oil may become a fire hazard
- \* Disconnect the electrical plug prior to any maintenance or servicing.
- \* Children don't recognize the risks of electrical appliances. Therefore use or keep the appliance only under supervision of adults and out of the reach from children.
- \* TO REDUCE THE RISK OF FIRE, ELECTRIC SHOCK, OR INJURY TO PERSONS, OBSERVE THE FOLLOWING:
  - a) Installation work and electrical wiring must be done by qualified person(s) in accordance with all applicable codes and standards, including fire-rated construction.
  - b) Sufficient air is needed for proper combustion and exhausting of gases through the flue (chimney) of fuel burning equipment to prevent back drafting.
  - c) When cutting or drilling into wall or ceiling, do not damage electrical wiring and other hidden utilities.
  - d) Ducted fans must always be vented to the outdoors.
- \* Don't use this product outdoors.
- \* This appliance is not intended for use by persons (including children) with reduced physical, sensory or mental capabilities, or lack of experience and knowledge, unless they have been given supervision or instruction, concerning use of the appliance by a person responsible for their safety. Children should be supervised to ensure that they do not play with the appliance.
- \* There shall be adequate ventilation of the room when the range hood is used at the same time as appliances burning gas or other fuels.
- \* There is a fire risk if cleaning is not carried out in accordance with instructions.
- \* The exhaust air must not be discharged into a flue which is used for exhausting fumes from appliances burning gas or other fuels.

# CHARACTERISTICS

---

## DIMENSIONS





## INSTALLATION & USE

---

### OPERATION OF CONTROLS



Power On / Off    Speed decrease    Speed increase    Lamp On / Off

To switch the range hood light on or off, press the  switch.  
Press the power key  (the display will show "0") and then press the "+" key to increase the speed or the "-" key to decrease the speed level at any time.

**Off-Timer**

Use Off-Timer to turn off the hood after a specified time. Use Off-Timer to filter the fumes out of the air after cooking. To activate the timer, press “+” and “-” at the same time for 2 seconds, the timer function is working. Default off-timer is 5 minutes. The hood will be turned off automatically once time is up.

**INSTALL ELECTRICAL**

Electrical wiring must be done by a qualified person(s) in accordance with all applicable codes and standards. This range hood must be properly grounded. Turn off electrical power at service entrance before wiring.

If the supply cord is damaged, it must be replaced by the manufacturer, its service agent or similarly qualified persons in order to avoid a hazard.

**INSTALL THE HOOD**

Note 1 : On stainless steel hoods, carefully remove the plastic protective film from all exterior surfaces of the hood and chimney prior to final installation.

Note 2: At least two people will be required to mount the hood.

## **INSTALL THE HOOD**

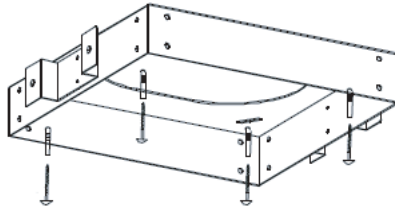
Minimum hood distance above the cooker must not be less than 650mm.

A maximum of 750mm above the cooker is highly recommended for best capture of cooking impurities.

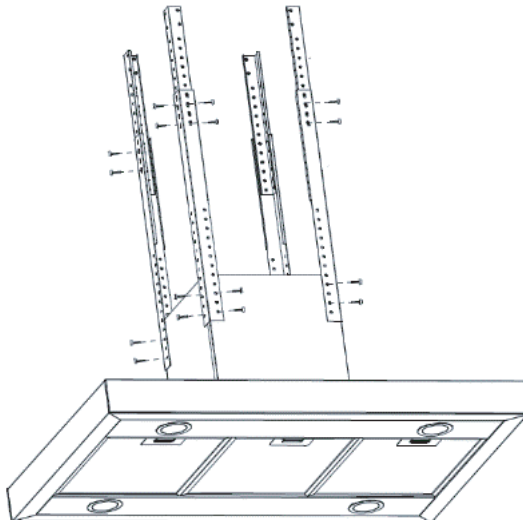
Distance over 750mm above the cooker are at the installer's and user's discretion - providing that ceiling height and flue length permit.



1. Using suitable fixings, secure the main support bracket to the ceiling. Ensure that the fixings used are suitable for your specific requirements.

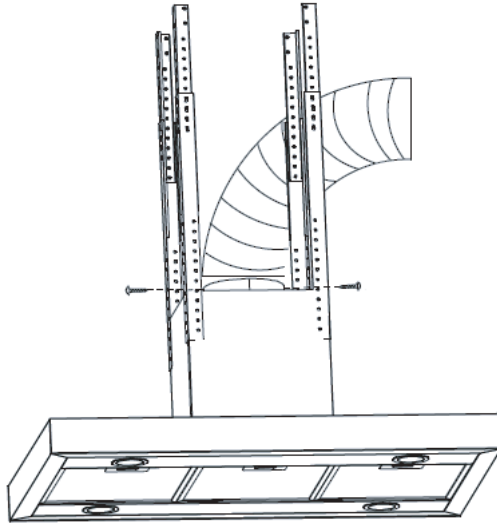


2. Assemble the mounting bracket as required, using the 16 supplied M4\*10mm screws. The height of the frame can be set to suit your installation.

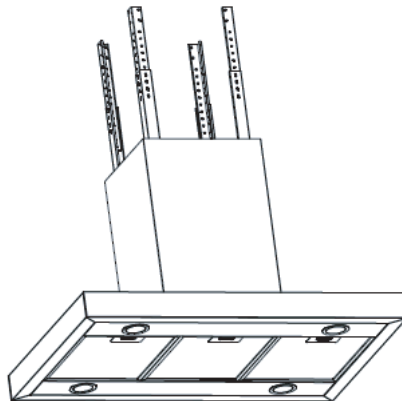




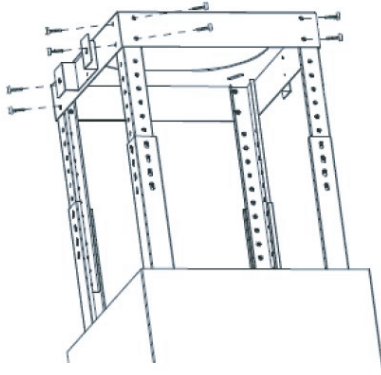
3. Fix the duct pipe and secure to the extractor using 2pcs of ST2.9\*6 screws, duct tape, cable tie or other clamping means.  
(The duct pipe is not included in the product)



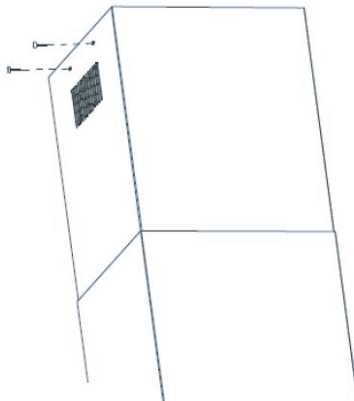
4. Remove the protective film from the chimney sections and slide the upper section into the lower section.



5. Secure the mounting bracket to the main support bracket using 16pcs of M4\*10mm screws. Make sure that the mains connection and ducting are correctly connected at this stage.



6. Adjust the chimney sections to the correct height and secure to the top bracket on each side of the chimney, using the four supplied M4\*10mm screws.



## **MAINTENANCE**

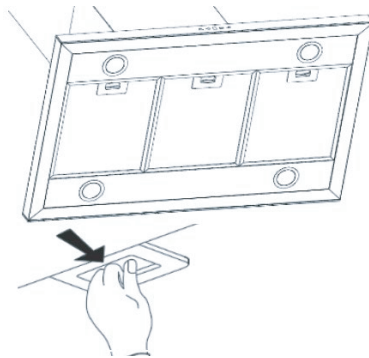
---

### **GREASE FILTER**

The grease filters should be cleaned frequently (every two months of operation, or more frequently for heavy use). Use a warm detergent solution.

Grease filters are washable.

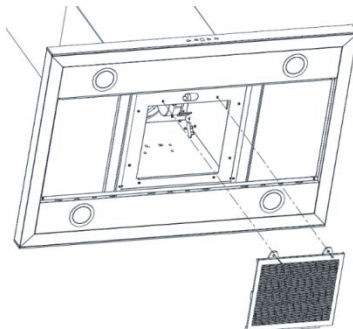
To remove the grease filters, pushing the button on the handle and then pull down on the filters at the front, as the picture shown. Once released at the front it can be pulled completely away.



### **CARBON FILTER**

The carbon filter is not washable, cannot be regenerated, and should be replaced approximately every 2 months of operation. Or more frequently in the case of heavy usage.

To attach new carbon filter, first remove the grease filter(s) as described on the previous page. Offer up the carbon filter to the body of the range hood and secure in place using the two supplied M4\*10mm screws.



## **Lamps**

This range hood may require four LEDs. (12V, 2W\*4 Max)

**WARNING:** Always switch off the electrical supply before carrying out any operation on the appliance.

### **CAUTION:**

THE SURFACE, THE LIGHTS COVER MAY BE HOT. TAKE CARE WHEN REPLACING lamps.

THE LAMPS MAY BE HOT. TAKE CARE WHEN REPLACING LAMPS.

## **HOOD CLEANING**

Stainless steel is one of the easiest parts to keep clean. Occasional care will help preserve its fine appearance.

Cleaning tips:

- \* Hot water with soap or detergent is all that is usually needed.
- \* Follow all cleaning by rinsing with clear water. Wipe dry with a clean, soft cloth to avoid water marks.
- \* For discolorations or deposits that persist, use a non-scratching household cleanser or stainless steel polishing powder with a little water and a soft cloth.
- \* For stubborn cases use a plastic scouring pad or soft bristle brush together with cleanser and water. Rub lightly in direction of polishing lines or "grain" of the stainless finish. Avoid using too much pressure that may mar the surface.
- \* Do not allow deposits to remain for long periods of time.
- \* Do not use ordinary steel wool or steel brushes. Small bits of steel may adhere to the surface causing rust.
- \* Do not allow salt solutions, disinfectants, bleaches, or cleaning compounds to remain in contact with stainless steel for extended periods. Many of these compounds contain chemicals that may be harmful. Rinse with water after exposure and wipe dry with a clean cloth.
- \* Painted surfaces should be cleaned with warm water and mild detergent only.

