



# Installation and User Guide

Applicable models: 1182-E

Please read this manual carefully before installation

## Table of Contents :

I.Installation Schematic

II.Package Contents

III.Installation Steps

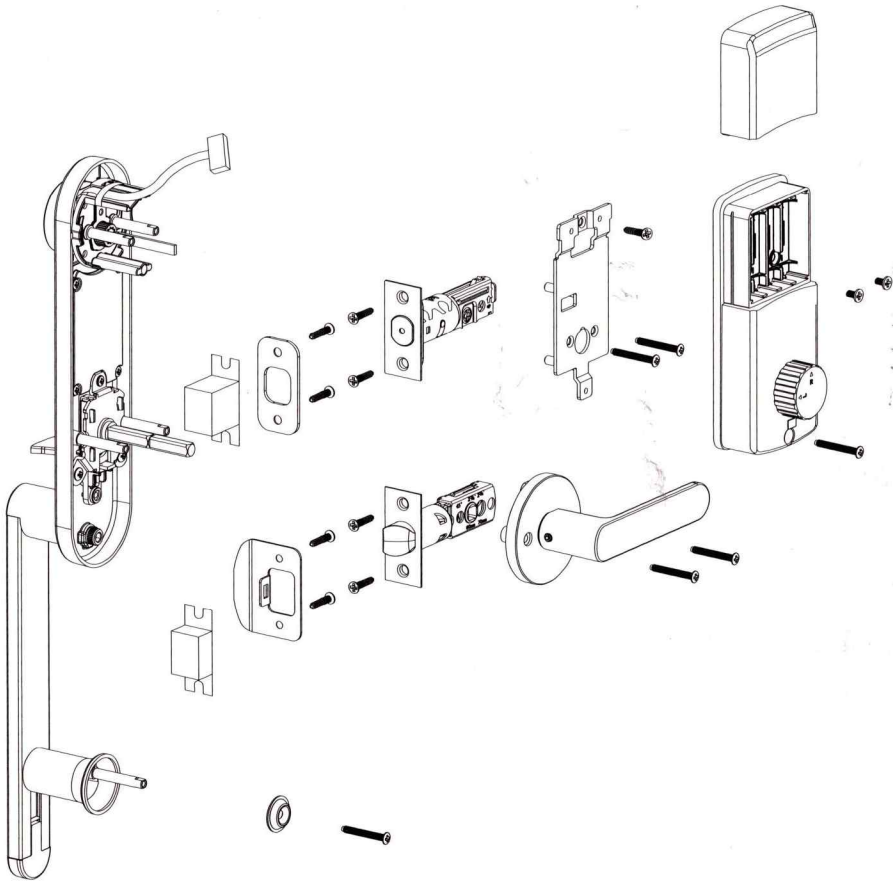
IV.Operating Instructions

V.Precautions

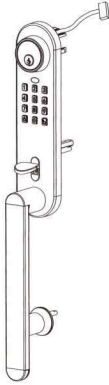
VI.Frequently Asked Questions

VII.Technical Parameters

# I. Installation Schematic



## II. Package Contents



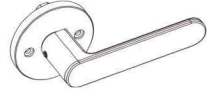
Exterior Assembly



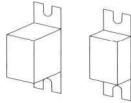
Interior Assembly



Fixed iron piece  
of front board



Interior Lever



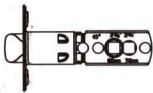
Plastic box



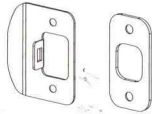
key



Manual de Instruiones



Latch



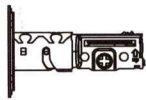
Strike plate



$\frac{3}{4}$ " Screws- 8ea.



$1\frac{3}{16}$ " Screw-3ea.  $1\frac{3}{8}$ " Screw-3ea.



Deadbolt



hex wrench 1ea.



gasket 1ea.



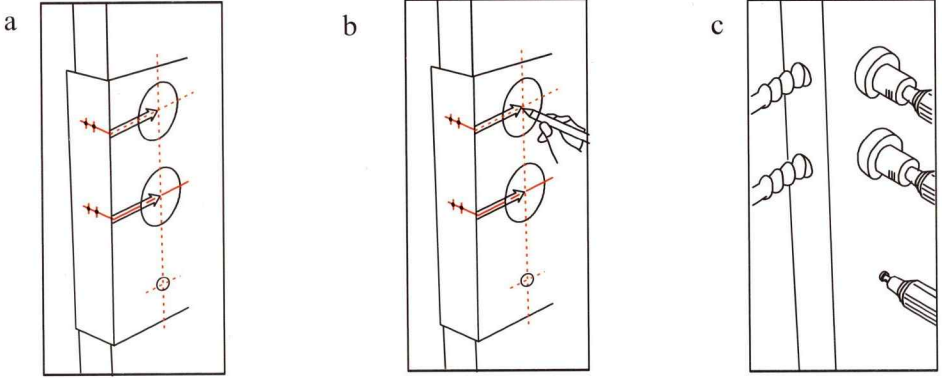
Gloves



Template

### III. Installation Steps

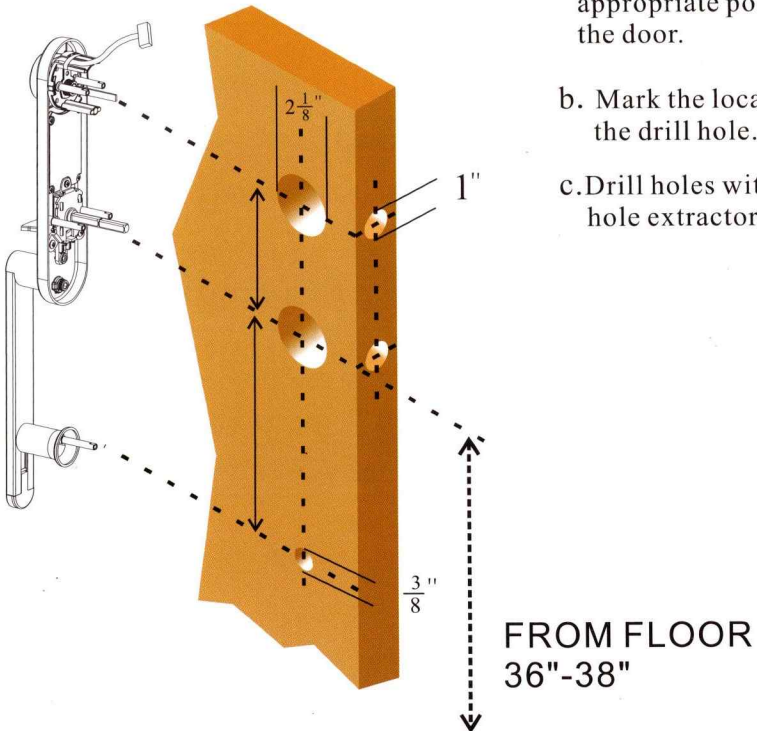
1. Use the paper template to draw lines and open holes on the door



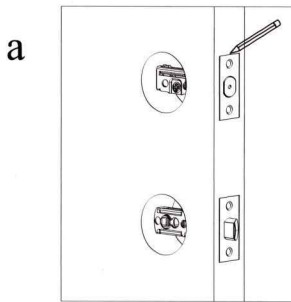
a. Stick the template on the appropriate position on the door.

b. Mark the location of the drill hole.

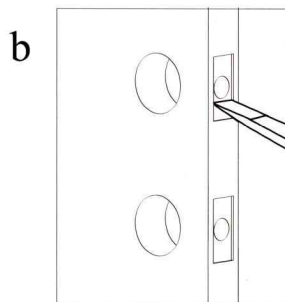
c. Drill holes with a suitable hole extractor



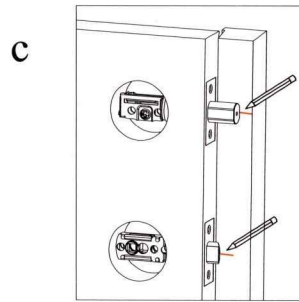
## 2. Drill holes on the door frame to install the strike plate



a



b

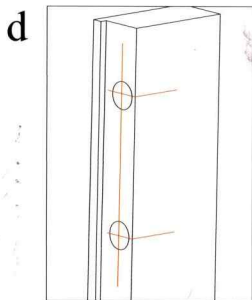


c

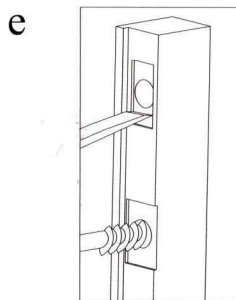
a. Install the latch in the hole and draw the position of the plate.

b. Dig out the installation groove of the plate.

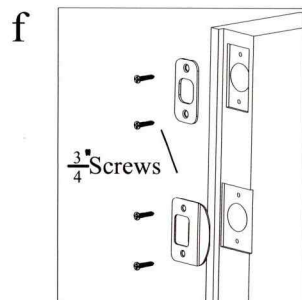
c. Put the latch in, put the door close to the door frame and mark the center position of the latch on the door frame.



d



e



f

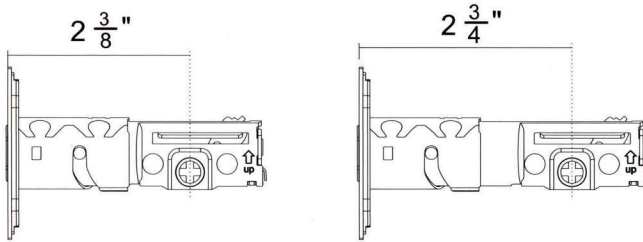
d. Draw the drilling position according to the mark.

e. Drill 1 " hole and dig the groove for the strike plate.

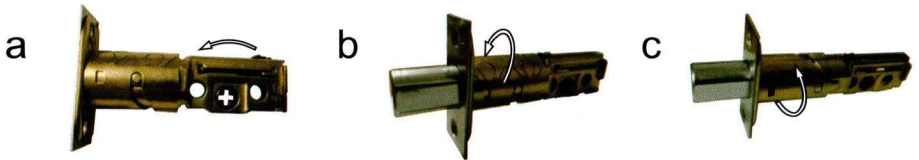
f. Install the strike plate and fix it with screws.

### 3. Adjust the backset of the deadbolt and latch

#### 3.1 Adjust the backset of the deadbolt



Adjust the backset of the deadbolt according to the drilling position.



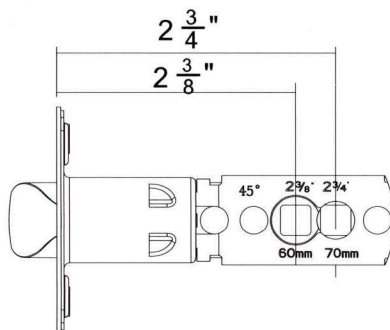
a. The size can be adjusted only after the bolt is extended.

b. In the direction of the arrow, rotating 180° to adjust it from  $2 \frac{3}{8}$ " to  $2 \frac{3}{4}$ ".

c. In the direction of the arrow, rotating 180° to adjust from  $2 \frac{3}{4}$ " to  $2 \frac{3}{8}$ ".

#### 3.2 Handle door latch

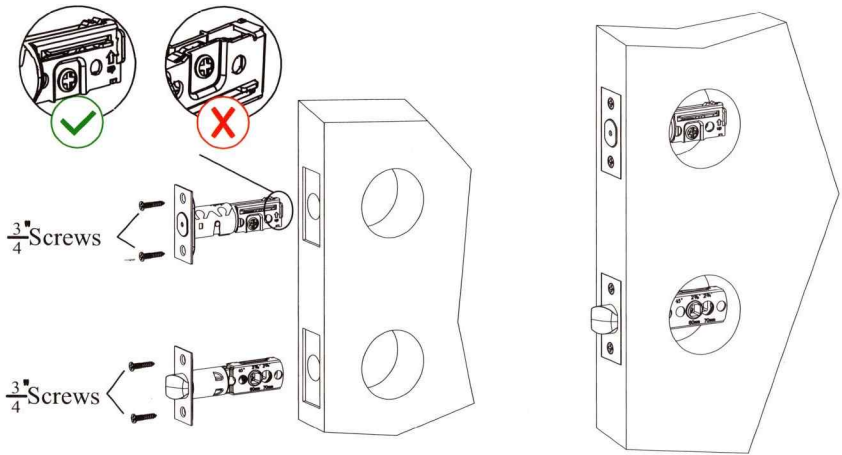
The latch does not need to be adjusted, both  $2 \frac{3}{8}$ " and  $2 \frac{3}{4}$ " sizes can be installed directly.



## 4. Installation

### 4. 1 Install the latch

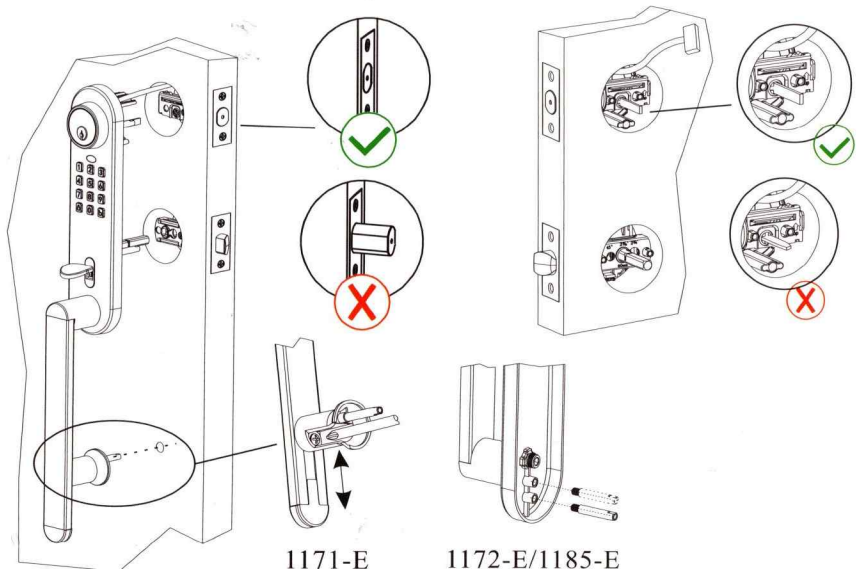
Install the latch on the door in the direction shown and fix it with screws.



### 4. 2 Install the outdoor part

Adjust the handle to the proper position.

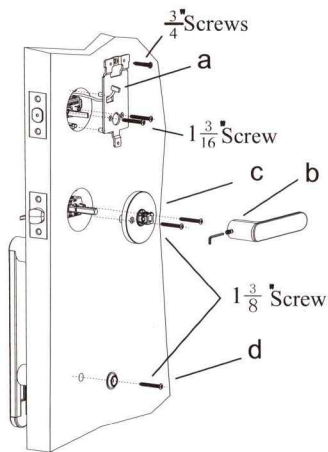
Retract the deadbolt, then install the outdoor part on the door with the locking ruler in the vertical direction.



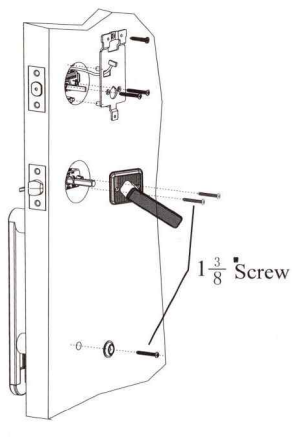


### 4. 3 Install the interior

- a. Connect the wire through the hole, install the iron piece on the door and fix it with screws.
- b. Remove the handle with the hex wrench, install the plate on the door and fix it with screws.
- c. Install the handle on the plate and fix with a hex wrench.
- d. Fix the front handle with screws and gasket.



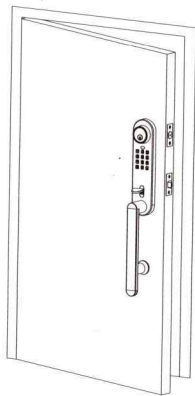
1171-E/1172-E



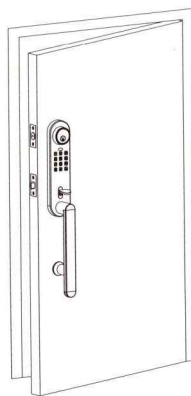
1185-E

### 4.4. Install the interior electronic lock set.

- a. Determine whether the door is left or right- open according to the following diagram

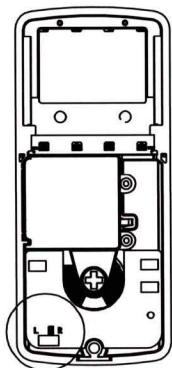


Left open



Right open

b. Adjust the left and right switch of the interior electronic lock set according to the door opening direction.



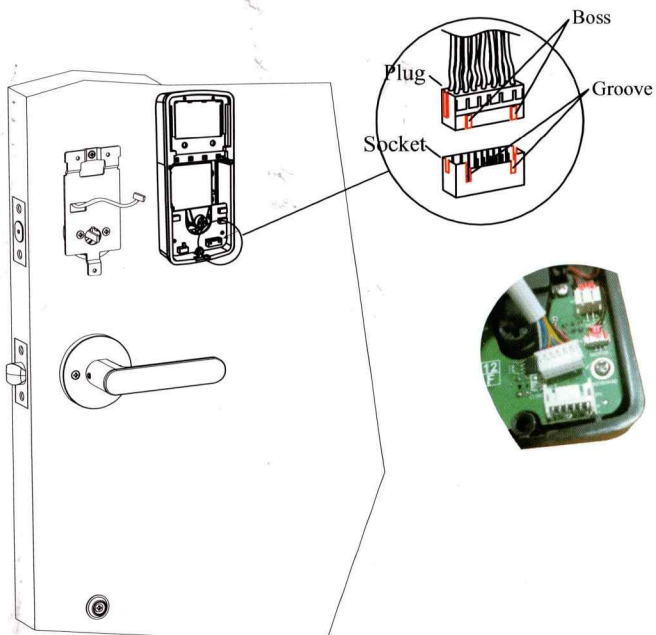
Right open



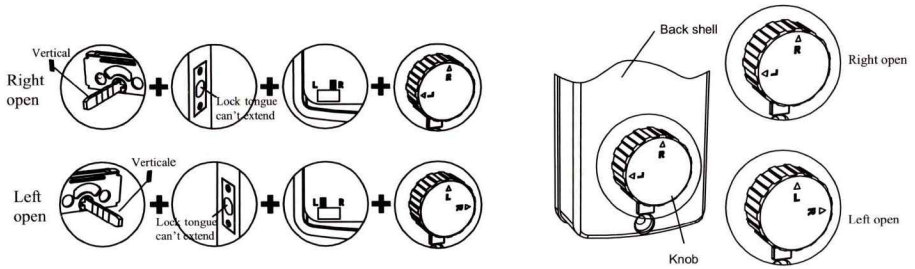
Left open

Turn the switch to R or L position according to the door opening direction

c. Plug the connecting cable terminal in the socket of the machine.

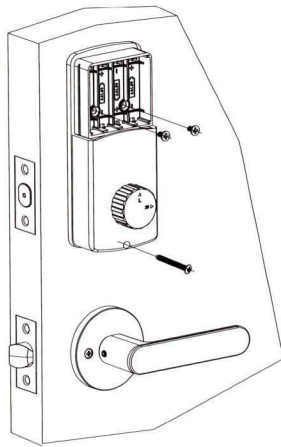


d. According to the door opening direction, install the interior electronic lock set on the door and fix it with screws.



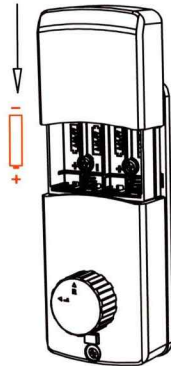
When installing the back shell, check again whether the four places are correct according to the corresponding door opening direction, otherwise the door lock cannot be used normally

Note: when installing the back shell, the left and right opening directions must be distinguished. When opening the right, the R mark of the knob is upward, and when opening the left, the L mark is upward

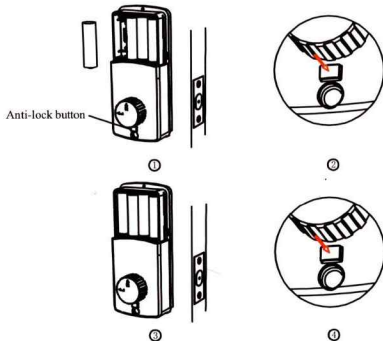


Install back shell

Note: Pay attention to the positive and negative poles of the battery when installing the battery, do not install it wrong

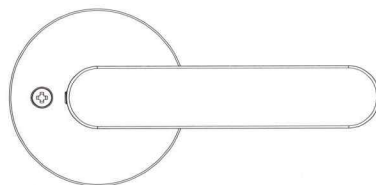
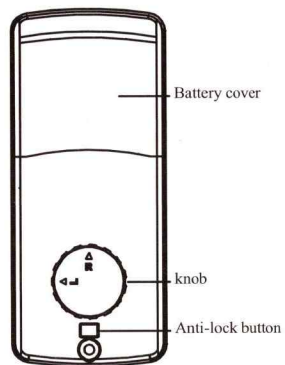
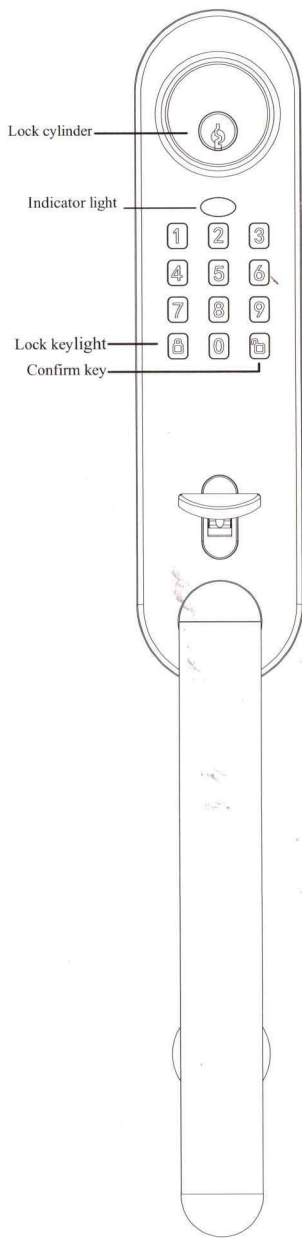


Install battery cover



The method to clear the system:  
 Step 1: Remove any one battery while the power is on  
 Step 2: Press the anti-lock button  
 Step 3: Reinstalling the removed battery  
 Step 4: After reinstalling the removed battery, press and hold the anti-lock switch for 8 seconds within 10 seconds, and the system will be cleared successfully with two beeps

After turning the knob inside the door to pull out the lock tongue, press the anti-lock switch for 3 seconds and the door will enter the anti-lock state. At this time, only the administrator can open the door outside. Press the anti-lock switch or turn the knob inside the door to open the door and release the anti-lock after Didi sound.



## IV. Operating Instructions

### 1. Characteristics:

- Password length is 6-12;
- Long press **⏏** (lock key) to take out the lock tongue to lock, and input password 123456**⏏** in the factory status to open the door;
- To prevent peeping, you can add some irrelevant codes before and after the password, and then press **⏏** (confirm key, the maximum length is 16 digits). If the password is opened, you can enter the password as follows: XXX password XXX **⏏**
- When the door lock voltage is too low and the password is input, the door lock will give an alarm prompt (seven tones). Please replace the battery in time;
- If the wrong password is entered for more than 4 times continuously, the keyboard will be locked for 1 minute, the system will not respond to any operation within 1 minute, and it will be unlocked automatically after 1 minute.

### 2. Reset the system to restore the factory settings

Please clear the system before registering the operation. The method of clearing the system is shown in picture 12

### 3. Add users (only one administrator can be added. The ID number of the administrator is 000, and the same password cannot be registered repeatedly)

#### a. Add administrator (Please clear the system before registering the operation)

Press	Press	Press	Enter	Press	Enter	Press	Enter	Press
<b>⏏</b>	1	<b>⏏</b>	123456	<b>⏏</b>	new admin password	<b>⏏</b>	new admin password	<b>⏏</b>

#### b. Add common password user (can be added continuously)

Press	Press	Press	Enter	Press	Enter	Press
<b>⏏</b>	1	<b>⏏</b>	admin password	<b>⏏</b>	new user password	<b>⏏</b>

Enter	Press
new user password	<b>⏏</b>

## 4. Change operation

### a. Change the administrator password

Press	Press	Press	Enter	Press	Enter	Press
<b>⏏</b>	2	<b>⏏</b>	admin password	<b>⏏</b>	old admin password	<b>⏏</b>

Enter	Press	Enter	Press
new admin password	<b>⏏</b>	new admin password	<b>⏏</b>

### b. Change the normal user password

Press	Press	Press	Enter	Press	Enter	Press
<b>⏏</b>	2	<b>⏏</b>	admin password	<b>⏏</b>	old user password	<b>⏏</b>

Enter	Press	Enter	Press
new user password	<b>⏏</b>	new user password	<b>⏏</b>

## 5.Delete operation

a. Delete individual user passwords (ID numbers are sorted according to the order of entry, the first entered user's ID number is 001, the second entered user's ID number is 002, and so on)

Press	Press	Press	Enter	Press	Enter	Press
🔒	3	🔑	admin password	🔑	ID number of the user	🔑

b.Delete all users (except administrators)

Press	Press	Press	Enter	Press	Enter	Press
🔒	3	🔑	admin password	🔑	00000	🔑

## 6. Normally open mode

Press	Press	Press	Enter	Press
🔒	4	🔑	admin password	🔑

To release the normal open method:

- Set the steps to re-operate once.
- Remove a battery power off and press any of the buttons a few times and then install the battery.
- Reset the system to restore factory settings.

After setting normally open outside the door without verification password directly press the handle can open the door, this function will be opened after the security risks, must fully understand the role of this function under the use, and timely lifting.

## 7.Silent mode

Press	Press	Press	Enter	Press
🔒	5	🔑	admin password	🔑

To unmute the buzzer, follow the steps to mute the buzzer once.

## 8.Automatic locking (interval time is 5 seconds -30 seconds)

Press	Press	Press	Enter	Press	Enter	Press
🔒	6	🔑	admin password	🔑	The interval time between entering unlocking and locking	🔑

If the interval time is set to 0, the automatic locking function will be turned off (this function is turned off by default). After this function is turned on, the door lock will be locked automatically after the interval time has expired after the door is opened with a password outside, but it will not be locked automatically when the door is opened with a key or a knob inside the door.

9.Holiday mode (the door can be opened only by the management password outside after setting this mode)

Press	Press	Press	Enter	Press
🔒	10	🔑	admin password	🔑

After setting the holiday mode, the door can be opened only by the management password, and other passwords will receive an error prompt. Release method: 1. Set the steps again. 2. Remove a battery and touch the button several times after power failure, and then install the battery. 3. Reset the system.



## V. Precautions

- 1, Although the door lock to do a simple waterproof treatment, but can not be installed in the rain outdoor, to avoid damage caused by water into the line part.
- 2, The door lock does not have a fire function, not suitable for installation in fire doors with fire requirements.
- 3, Do not use poor quality batteries, so as not to damage the power supply system by battery leakage.
- 4, Please pay attention to the positive and negative poles of the battery, can not be installed in reverse.
- 5, Can not use sharp hard objects to scratch the surface of the touch button screen to prevent scratching.
- 6, Can not be used with corrosive liquid wipe the lock surface, so as not to damage the plating layer.
- 7, If you forget the administrator password can reset the door lock to restore the factory state.
- 8, Door lock after a long time, in order to ensure the flexibility of the handle rotation, please remove the lock in the handle inside the rotation part with lubricant.

## VI. Frequently Asked Questions

- 1, No electricity:
  - a. Check whether the connectors of the front and rear board connecting wires are connected properly.
  - b. Whether the battery has been installed, whether the battery has been installed backwards.
- 2, Can not open the lock:
  - a. Whether the password is correct and whether the password has been deleted.
  - b, Enter the password and other ways to open the door within 5 seconds, not open the door lock will return to the free state;
  - c, Touch the screen to see if the screen can activate the light.
- 3, Fast power consumption:

Check whether the battery is poor quality batteries, normal good battery door lock can be used for about a year

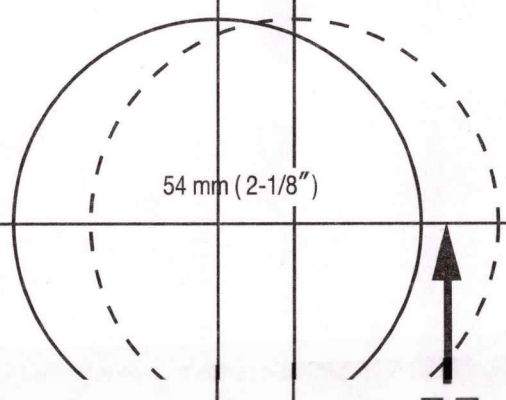
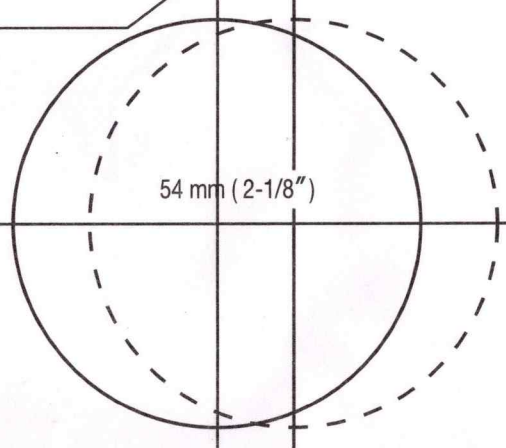
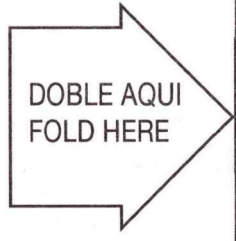
## VII. Technical Parameters

Power supply	4.5V-6.5V (4 AA battery)	Number of Passwords	100
Static current	Less than 40 uA	Operating temperature	-35°C-70°C
Dynamic current	Less than 400mA	Relative Humidity	20%-93%

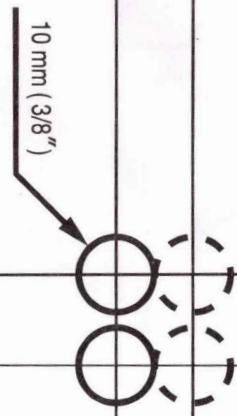
Installation door thickness	1.3" - 1.9"
Unlocking method	Password. Key
APP	without

Mecanismo de Backset 70 mm ( 2 3/4" )

Mecanismo de Backset 60 mm ( 2 3/8" )

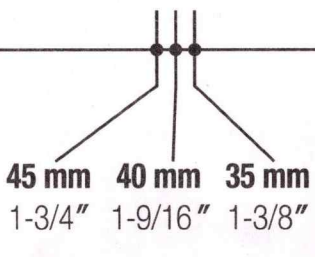


Mark Height 36" (914 mm) from floor to center



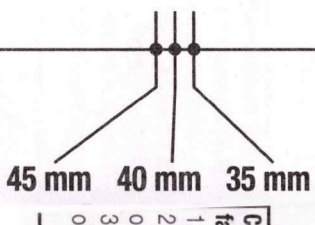
Centro a Centro  
Center to Center  
**5" (127 mm)**

Centro a Centro  
Center to Center  
**214-226 mm ( 8 7/16" - 8 7/8" )**



Haga perforación de 1" (25 mm) al centro del borde de la puerta.  
Drill 1" (25 mm) hole at center of door edge.

Haga perforación de 1" (25mm) al centro del borde de la puerta.  
Drill 1" (25mm) hole at center of door edge.



**Con el fin de mantener el acabado de las cerraduras favor de observar los siguientes puntos:**  
1. No instale sus cerraduras antes de pintar la puerta.  
2. Para mantener su apariencia evite limpiar con solventes o productos químicos; use solo un paño húmedo.  
3. Abstengase de tratar la cerradura con abrasivos u objetos metálicos filosos.

**The following requirements should be observed to keep your locks last longer in finish:**  
1. Do not install locks before doors are painted.  
2. To avoid oxidation, refrain from using cleansers or acid chemicals to polish or be in contact with locks.  
3. Refrain from using heavy or sharp-edged objects to scrub locks.